

SPARE PARTS SECTION

The following section covers the spare parts diagrams and lists that were current at the time this manual was originally printed. Due to continuous improvements of the machine, changes may be made at any time without notification.

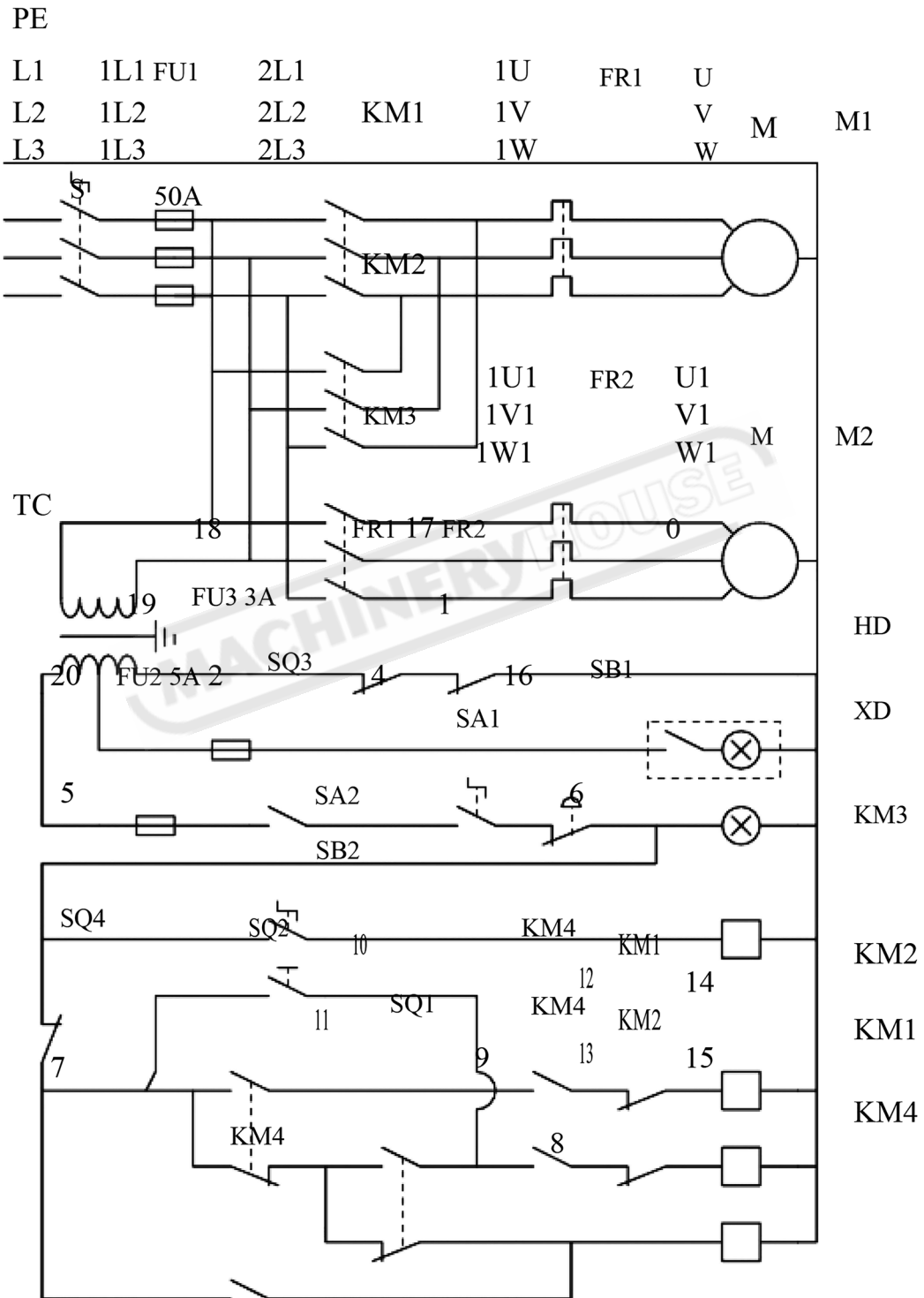
HOW TO ORDER SPARE PARTS

1. Have your machines **Model Number, Serial Number & Date of Manufacture** on hand, these can be found on the specification plate mounted on the machine
2. A scanned copy of your parts list/diagram with required spare part/s identified
3. Go to www.machineryhouse.com.au/contactus and fill out the enquiry form attaching a copy of scanned parts list.

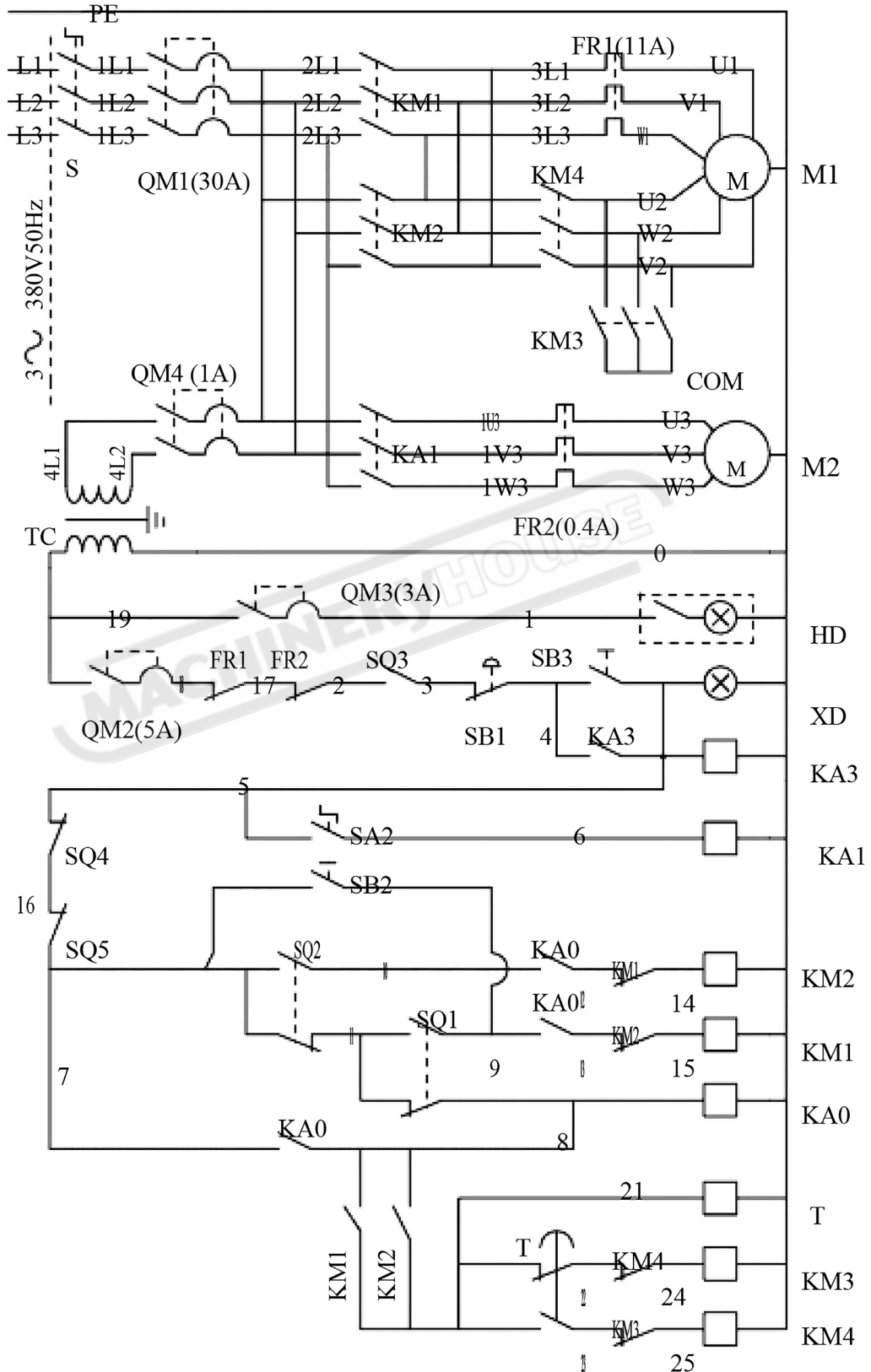
CONTENTS

Electrical Diagrams.....	43
CL-410 Headstock Parts.....	46
CL-410 Headstock Parts List.....	52
CL-460 Headstock Parts.....	57
CL-460 Headstock Parts List.....	61
Gearbox Parts.....	66
Gearbox Parts List.....	70
Saddle Parts.....	74
Saddle Parts List.....	77
Apron Parts.....	81
Apron Parts List.....	84
Tailstock Parts.....	88
Tailstock Parts List.....	89
Bed Assembly Parts.....	91
Bed Assembly Parts List.....	95
Fixed Steady Parts.....	100
Fixed Steady Parts List.....	101
Traveling Steady Parts.....	102
Traveling Steady Parts List.....	103

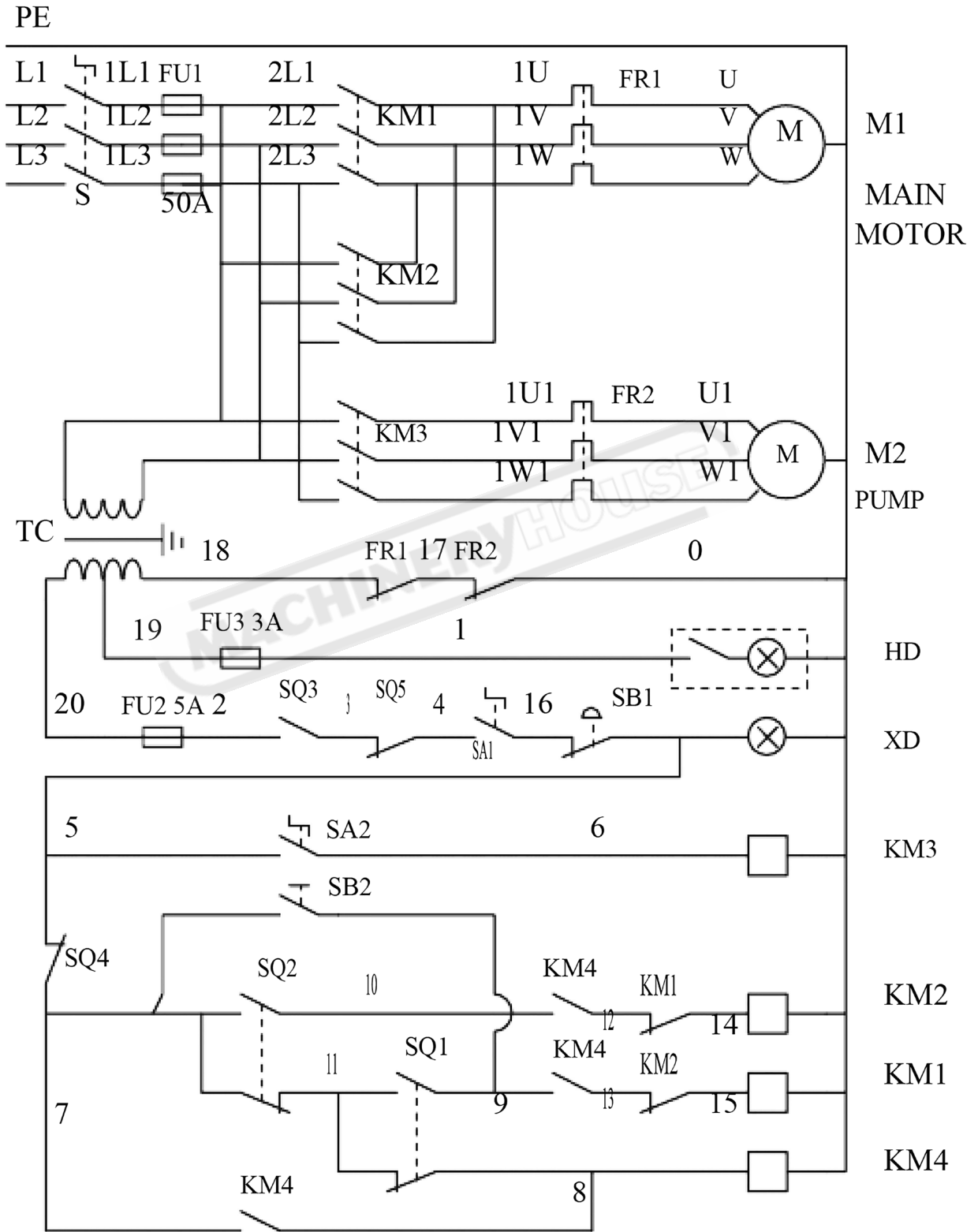
A. ELECTRICAL DIAGRAM



A. ELECTRICAL DIAGRAM Cont.

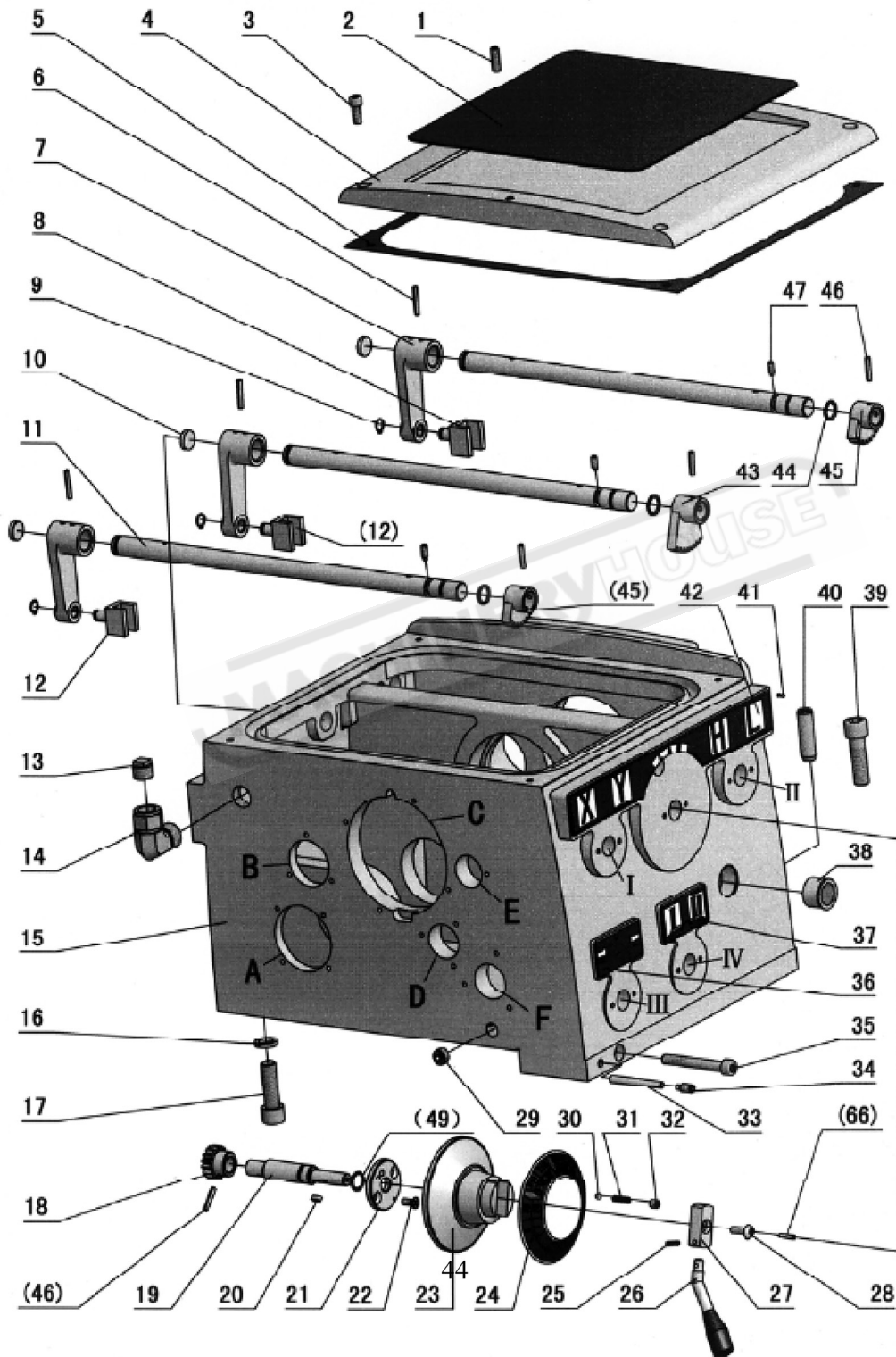


A. ELECTRICAL DIAGRAM Cont.

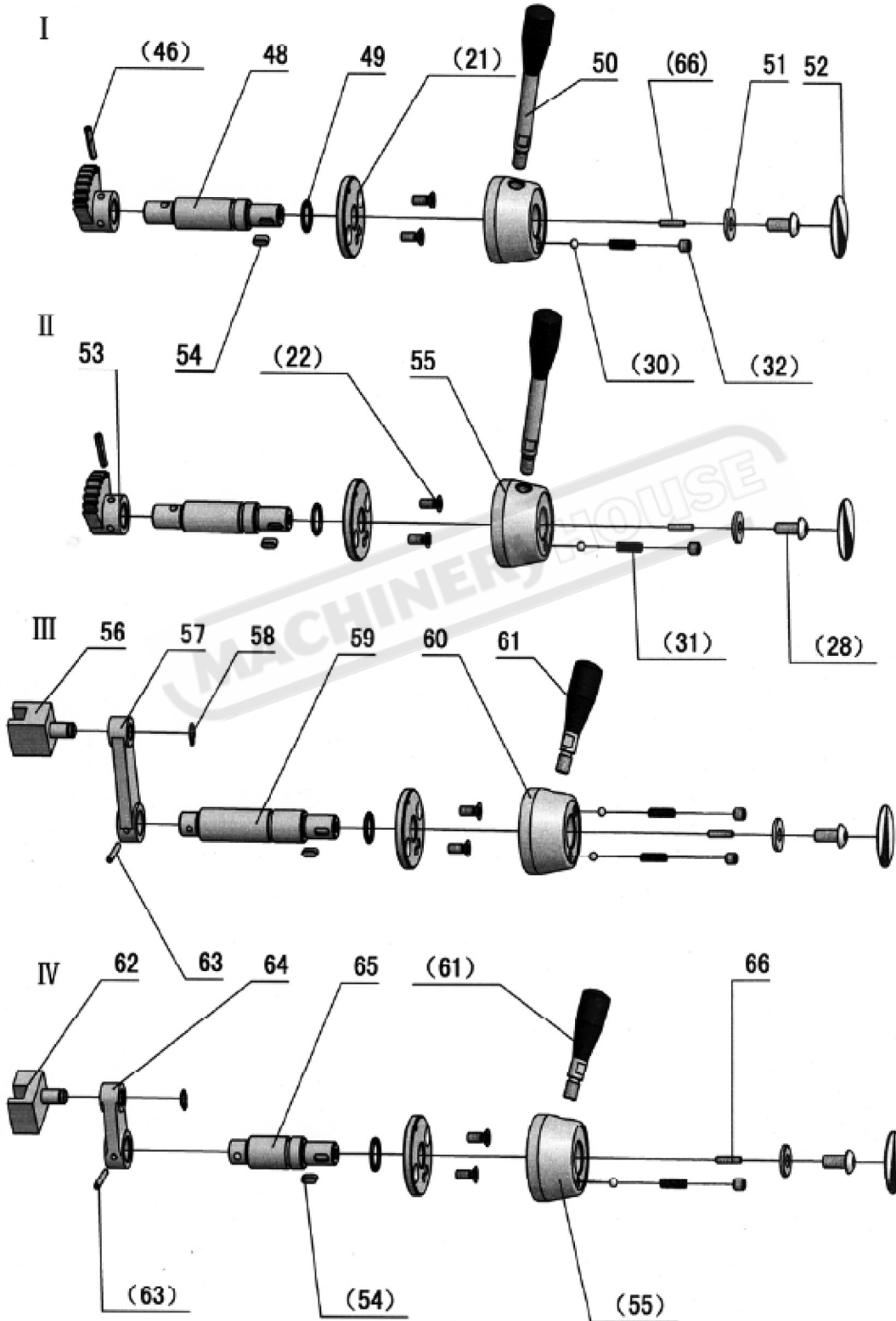


WIRINGDIAGRAM

CL-410 HEADSTOCK PARTS

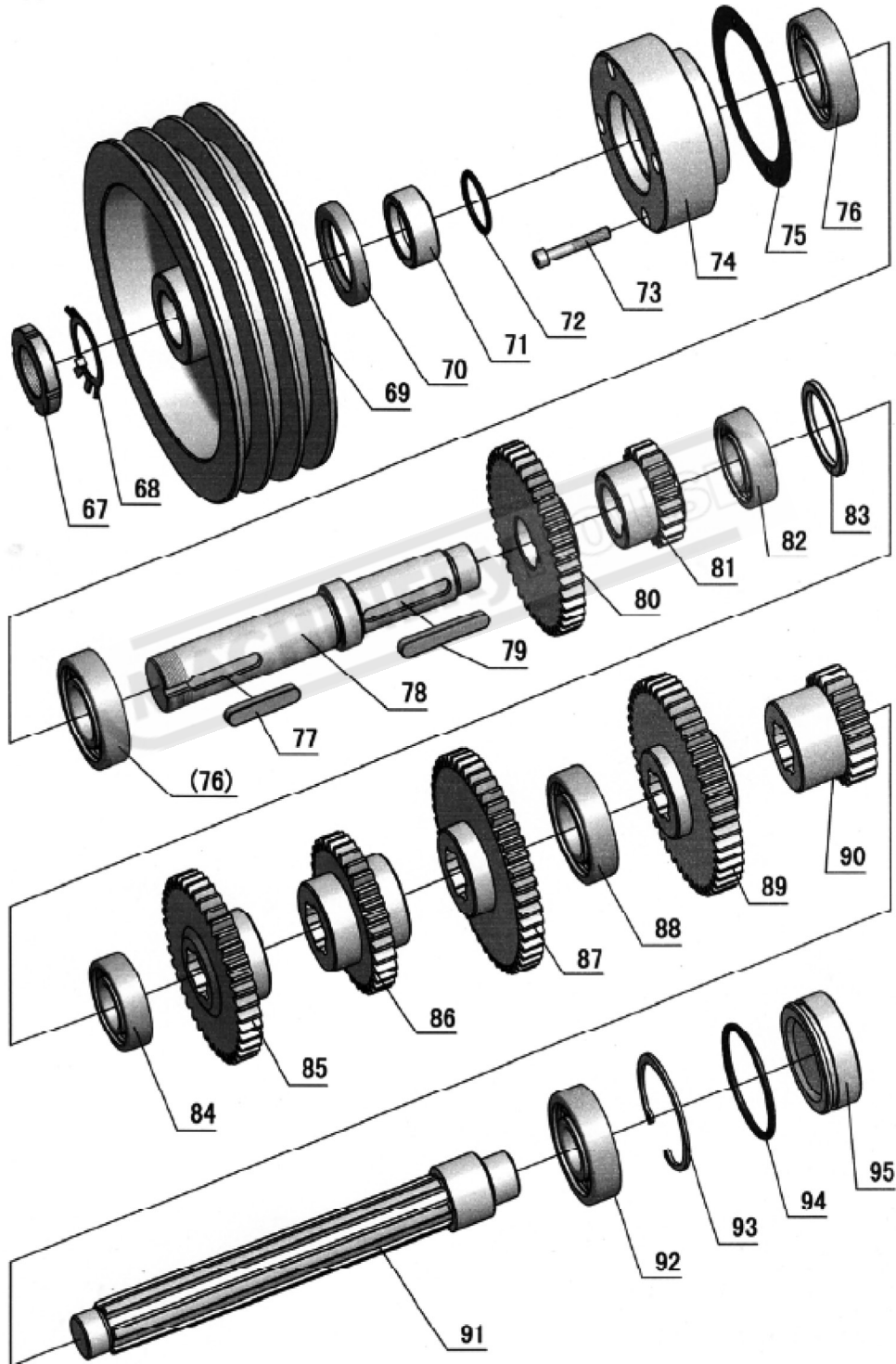


CL-410 HEADSTOCK PARTS Cont.

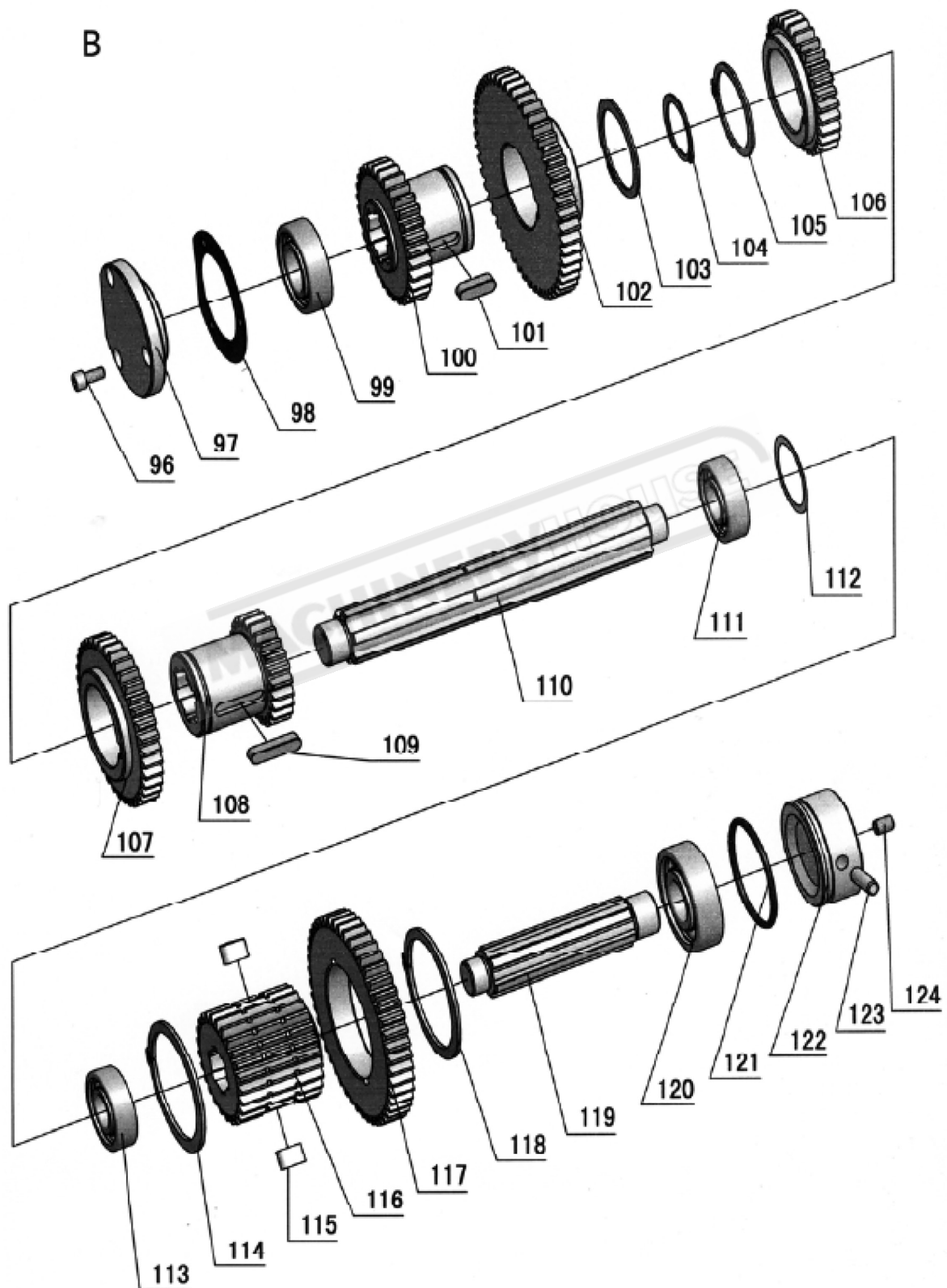


CL-410 HEADSTOCK PARTS Cont.

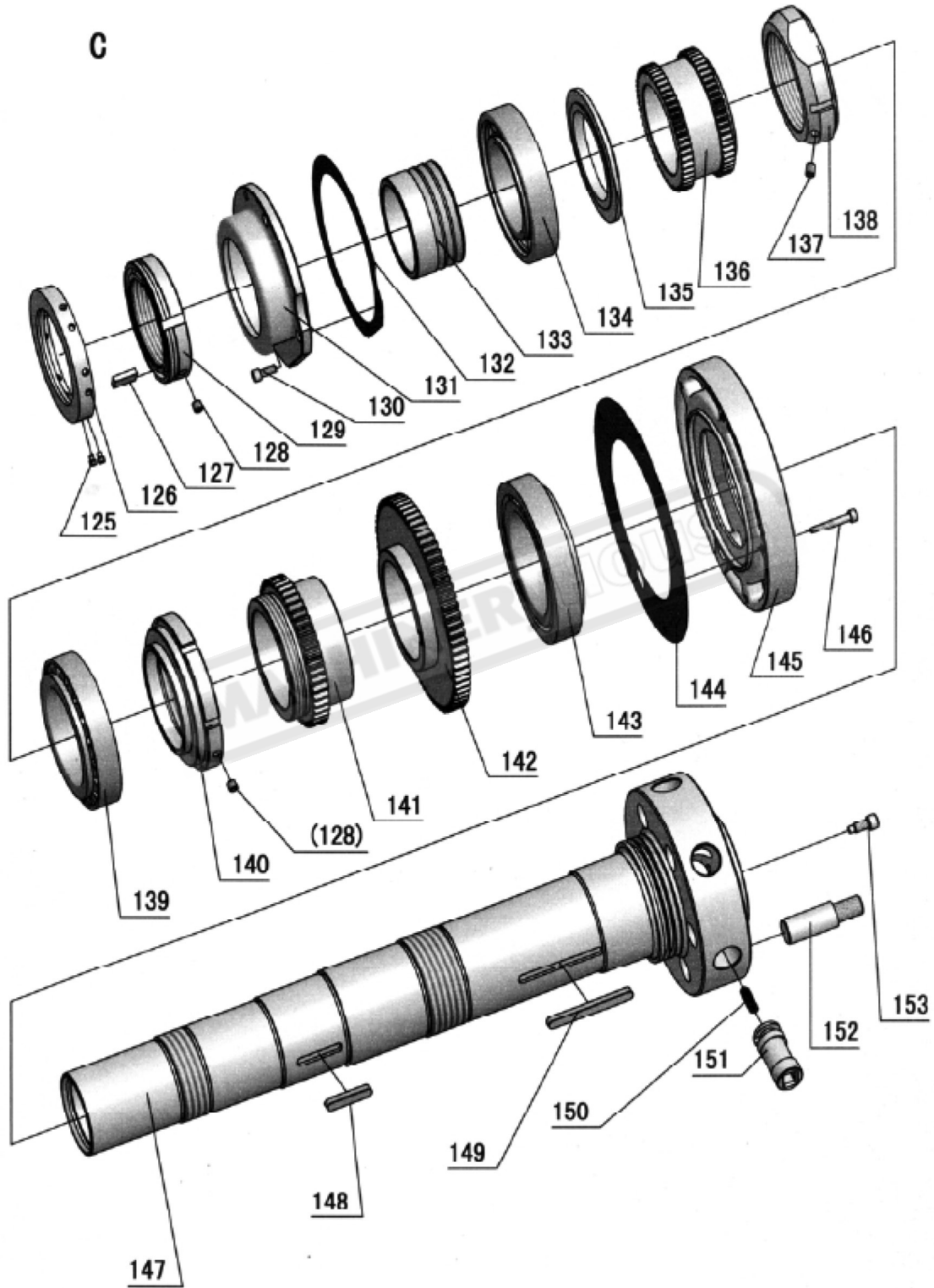
A



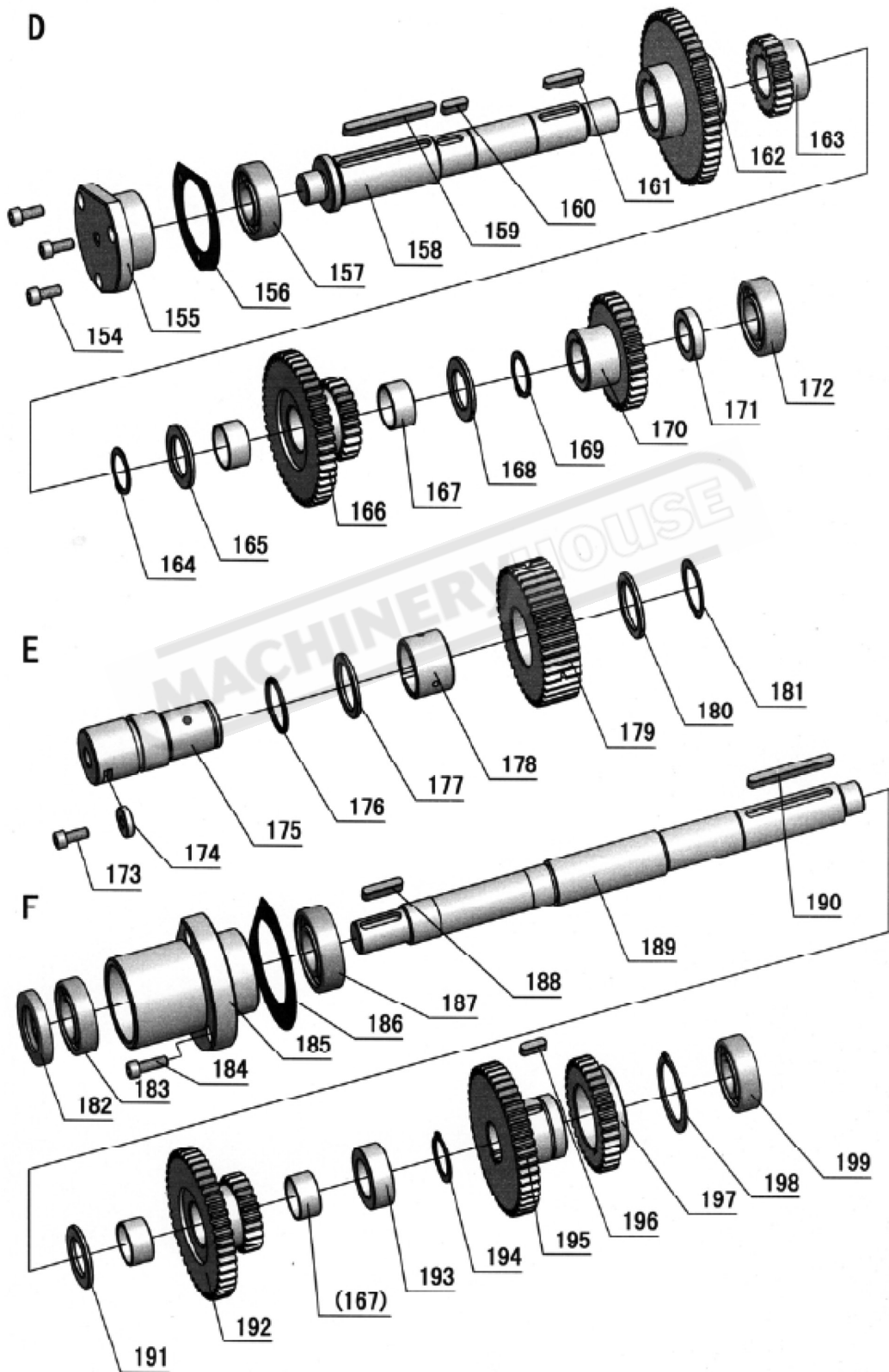
CL-410 HEADSTOCK PARTS Cont.



CL-410 HEADSTOCK PARTS Cont.



CL-410 HEADSTOCK PARTS Cont.



CL-410 HEADSTOCK PARTS LIST

No	Part No.	Item	Specification	Qty.
1	GB77-85	Screw	M8×25	1
2	RUN6246-101003	Cover Dress		1
3	GB70-85	Screw	M8×20	4
4	RUN6246-101002	Headstock Cover		1
5	RUN6246-101002-1	Sealed Mat		1
6	GB879-86	Spring Pin	5×30	3
7	RUN6246-101060	Lever		3
8	RUN6246-101062	Fork		1
9	GB894.1-86	Snap Ring	12	3
10	RUN6246-101083	Plug		3
11	RUN6246-101059	Shaft		3
12	RUN6246-101061	Fork		2
13	SB4032-65	Plug	20	1
14	SB4010-65	Tube Fitting	20	1
15	RUN6141-101001	Headstock Casting		1
15	RUN6246H-101001	Headstock Casting		1
16	GB93-87	Washer	M16	3
17	GB70-85	Screw	M16×55	3
18	RUN6246-101063	Gear		1
19	RUN6246-101065-1	Shaft		1
20	GB1096-79	Key	5×12	1
21	RUN6246-101067	Fix Black		5
22	GB819-85	Screw	M6×16	10
23	RUN6246-101077-1	Handel		1
24	RUN6246-101097	Plate		1
25	GB879-86	Spring Pin	4×20	1
26	RUN6246-101077-3	Lever		1
27	RUN6246-101077-2	Fix Bracket		1
28	RUN6246-101088	Round Head Screw		5
29	G38-3A	Oil Plug	Z 3/8"	1
30	GB308-84	Steel Ball	1/4"	6
31	RUN6246-101066	Spring		6
32	GB77-85	Screw	M8×8	6
33	RUN6246-101080	Pin	10×60	1
34	GB79-85	Screw	M10×20	1
35	GB70-85	Screw	M10×110	1
36	RUN6246-101098	Plate		1
37	RUN6246-101100	Plate		1
38	R51-5A	Oil Sight Glass	20	1
39	GB70-85	Screw	M16×45	3

CL-410 HEADSTOCK PARTS LIST Cont.

No	Part No.	Item	Specification	Qty.
40	GB120-86	Pin	16×55	1
41	GB827-86	Rivet	2×5	24
42	RUN6246-101096	Plate		1
43	RUN6246-101063-1	Gear		1
44	GB1235-76	O-Ring	20×2.4	3
45	RUN6246-101064-1	Gear		2
46	GB879-86	Spring Pin	5×26	6
47	GB79-85	Screw	M6×16	3
48	RUN6246-101065	Shaft		2
49	GB1235-76	O-Ring	22×2.4	5
50	RUN6246-101072	Lever		2
51	RUN6246-101070-1	Washer		4
52	RUN6246-101099	Plate		4
53	RUN6246-101064	Gear		2
54	GB1096-79	Key	5×12	4
55	RUN6246-101071	Lever Head		3
56	RUN6141-101075A	Fork		1
57	RUN6246-101074-1	Lever		1
58	GB894.1-86	Snap Ring	10	2
59	RUN6141-101073A	Shaft		1
60	RUN6246-101077A	Handle		1
61	RUN6246-102056-1	Lever		2
62	RUN6141-101079	Fork		1
63	GB879-86	Spring Pin	4×26	2
64	RUN6141-101074A	Lever		1
65	RUN6141-101078A	Shaft		1
66	GB77-85	Screw	M4×20	5
67	GB812-88	Nut	M30×1.5	1
68	GB858-88	Nut	30	1
69	RUN6246-101011	Pulley		1
70		Oil Seal	TC55×42×9	1
71	RUN6246-101009	Spacer		1
72	GB1235-76	O-Ring	36×3.5	1
73	GB70-85	Screw	M6×40	4
74	RUN6246-101010	Bearing Cover		1
75	RUN6246-101010-1	Bealed Mat		1
76	GB278-89	Ball Bearing	80206	2
77	GB1096-79	Key	8×45	1
78	RUN6246-101005	Shaft		1
79	GB1096-79	Key	8×55	1

CL-410 HEADSTOCK PARTS LIST Cont.

No	Part No.	Item	Specification	Qty.
80	RUN6246-101008	Gear		1
81	RUN6246-101007	Gear		1
82	GB278-89	Ball Bearing	80205	1
83	RUN6246-101006	Spacer		1
84	GB278-89	Ball Bearing	80205	1
85	RUN6246-101014	Gear		1
86	RUN6246-101015	Gear		1
87	RUN6246-101016	Gear		1
88	GB278-89	Ball Bearing	80206	1
89	RUN6246-101017	Gear		1
90	RUN6246-101018	Gear		1
91	RUN6246-101013	B Shaft		1
92	GB278-89	Ball Bearing	80305	1
93	GB893.1-86	Snap Ring	62	1
94	GB3452.1-82	O-Ring	56x2.65	1
95	RUN6246-101019-1	Plug		1
96	GB70-85	Socket Head Cap Screw	M6x14	3
97	RUN6246-101032	Cover		1
98	RUN6246-101032-1	Sealed Mat		1
99	GB278-89	Ball Bearing	80205	1
100	RUN6246-101030	Gear		1
101	GB1096-79	Key	8x25	1
102	RUN6246-101031	Gear		1
103	GB894.1-86	Snap Ring	50	1
104	GB894.1-86	Snap Ring	34	1
105	GB894.1-86	Snap Ring	48	1
106	RUN6246-101029	Gear		1
107	RUN6246-101028	Gear		1
108	RUN6246-101027	Gear		1
109	GB1096-79	Key	8x35	1
110	RUN6246-101026	A Shaft		1
111	GB278-89	Ball Bearing	80204	1
112	RUN6246-101025	Spacer		1
113	GB278-89	Ball Bearing	80204	1
114	GB894.1-86	Snap Ring	68	1
115	RUN6246-101023-1	Key		2
116	RUN6246-101023	Gear		1
117	RUN6246-101024	Gear		1
118	GB894.1-86	Snap Ring	68	1
119	RUN6246-101022	C Shaft		1

OPERATION MANUAL

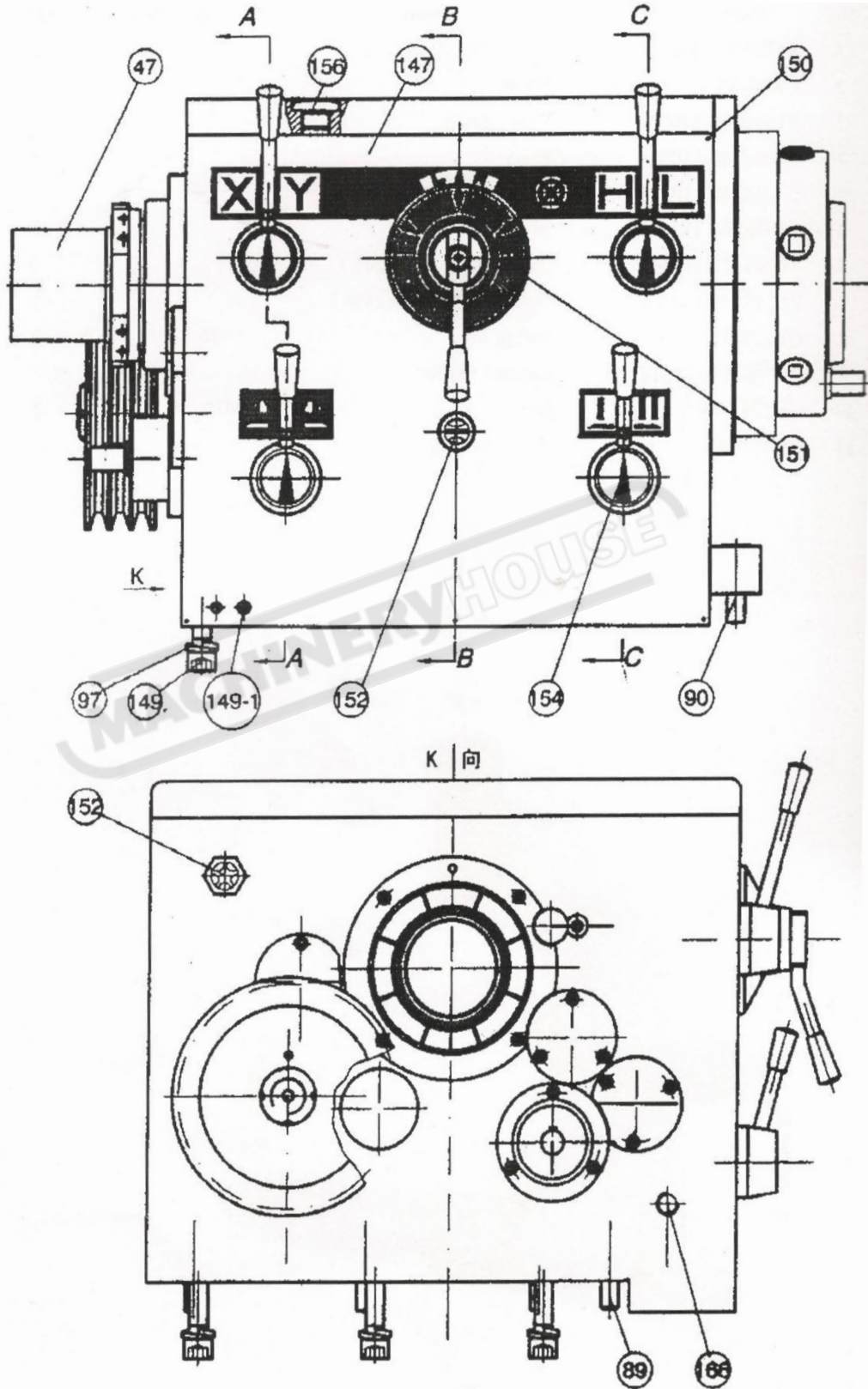
CL-410 HEADSTOCK PARTS LIST Cont.

No	Part No.	Item	Specification	Qty.
120	GB278-89	Ball Bearing	80305	1
121	RUN6246-101019-2	Washer		1
122	GB893.1-86	Snap Ring	62	1
123	GB3452.1-82	O-Ring	56×2.65	1
124	RUN6246-101019-1	Plug		1
125	GB79-85	Screw	M6×8	4
126	RUN6246-101044	Balance Piece		1
127	RUN6246-101043-1	Brass		1
128	GB77-85	Screw	M8×8	2
129	RUN6246-101043	Set Nut		1
130	GB70-85	Screw	M6×16	4
131	RUN6246-101042	Rear Bearing Cover		1
132	RUN6246-101042-1	Sealed Mat		1
133	RUN6246-101041	Cycle Oil Ring		1
134	GB276-89	Ball Bearing	215	1
135	RUN6246-101040	Oil Ring		1
136	RUN6246-101039	Gear		1
137	GB77-85	Screw	M8×10	1
138	RUN6246-101038	Set Nut		1
139	GB297-84	Taper Roller	D2007117E	1
140	RUN6246-101037	Set Nut		1
141	RUN6246-101036	Gear		1
142	RUN6246-101035	Gear		1
143	GB297-84	Taper Roller	D2007118E	1
144	RUN6246-101034-1	Sealed Mat		1
145	RUN6246-101034-2	Front Bearing Cover		1
146	GB70-85	Socket Head Cap Screw	M6×40	5
147	RUN6246-101033-01	Spindle	D1-6	1
148	GB1096-79	Key	8×45	1
149	GB1096-79	Key	8×85	1
150	RUN6246-101082-1	Spring		6
151	RUN6246-101081	Cam Lock		6
152	RUN6246-101082	Spring		6
153	RUN6246-101087	Screw		6
154	GB70-85	Screw	M6×16	3
155	RUN6246-101054	Cover		1
156	RUN6246-101054-1	Sealed Mat		1
157	GB278-89	Ball Bearing	80204	1
158	RUN6141-101049-1	C Shaft		1
159	GB1096-79	Key	6×65	1

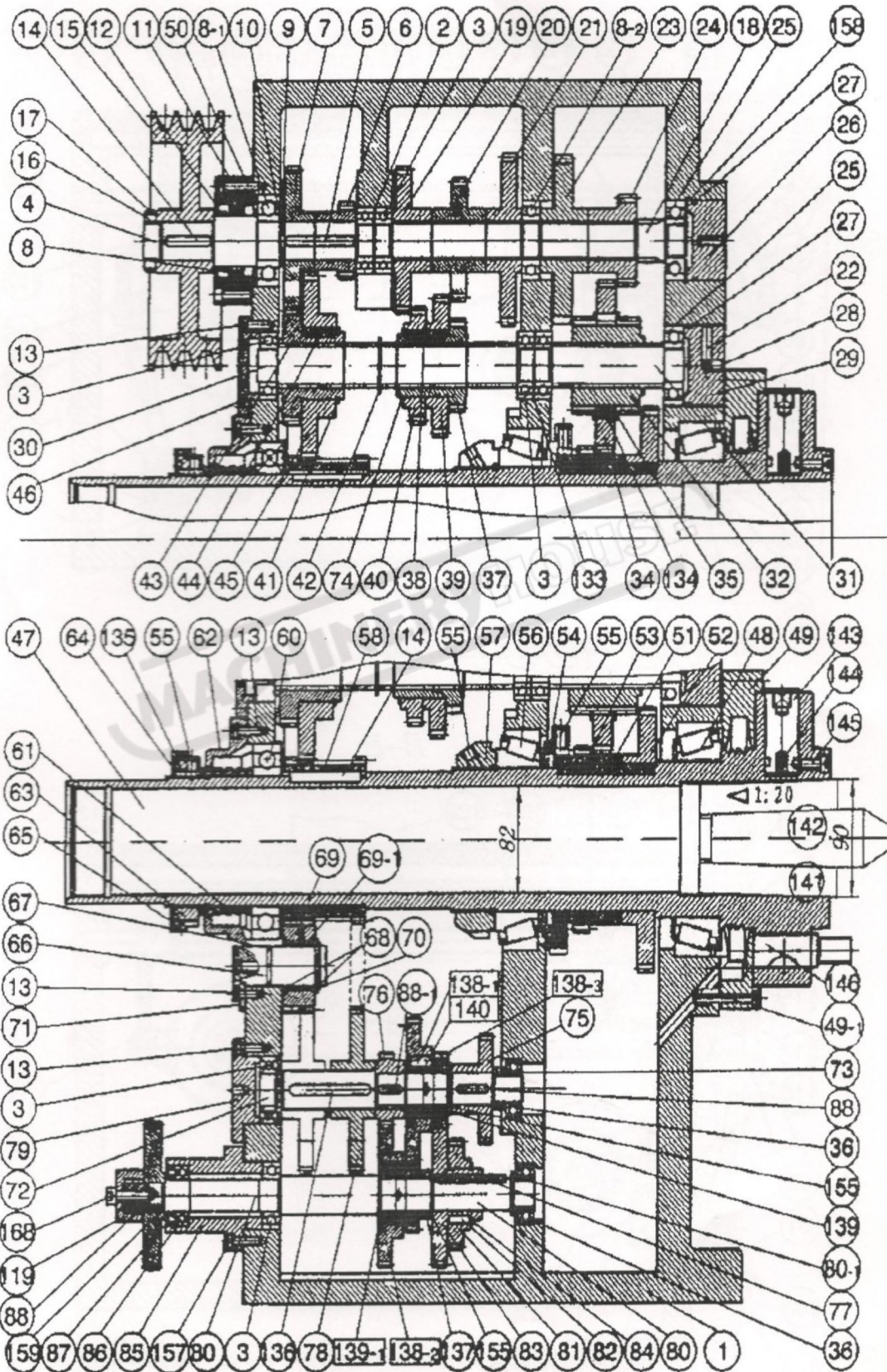
CL-410 HEADSTOCK PARTS LIST Cont.

No	Part No.	Item	Specification	Qty.
160	Key	Key	6×18	1
161	Key	Key	6×28	1
162	Gear	Gear		1
163	Gear	Gear		1
164	Snap Ring	Snap Ring	24	1
165	Spacer	Spacer		1
166	Gear	Gear		1
167	Bearing	Bearing	2512	4
168	Spacer	Spacer		1
169	Snap Ring	Snap Ring	24	1
170	Gear	Gear		1
171	Spacer	Spacer		1
172	Ball Bearing	Ball Bearing	80204	1
173	Screw	Screw	M6×12	1
174	Washer	Washer		1
175	Shaft	Shaft		1
176	O-Ring	O-Ring	35×3.1	1
177	Spacer	Spacer		1
178	Stalk Set	Stalk Set		1
179	Gear	Gear	42T×M2	1
180	Spacer	Spacer		1
181	Snap Ring	Snap Ring	30	1
182	Oil Seal	Oil Seal	TC47×25×8	1
183	Ball Bearing	Ball Bearing	80105	1
184	Screw	Screw	M6×20	3
185	Bearing Flanged	Bearing Flanged		1
186	Sealed Mat	Sealed Mat		1
187	Ball Bearing	Ball Bearing	80205	1
188	Key	Key	6×28	1
189	D Shaft	D Shaft		1
190	Key	Key	6×60	1
191	Spacer	Spacer		1
192	Gear	Gear		1
193	Spacer	Spacer		1
194	Snap Ring	Snap Ring	25	1
195	Gear	Gear		1
196	Key	Key	6×18	1
197	Gear	Gear		1
198	Snap Ring	Snap Ring	40	1
199	Ball Bearing	Ball Bearing	80204	1

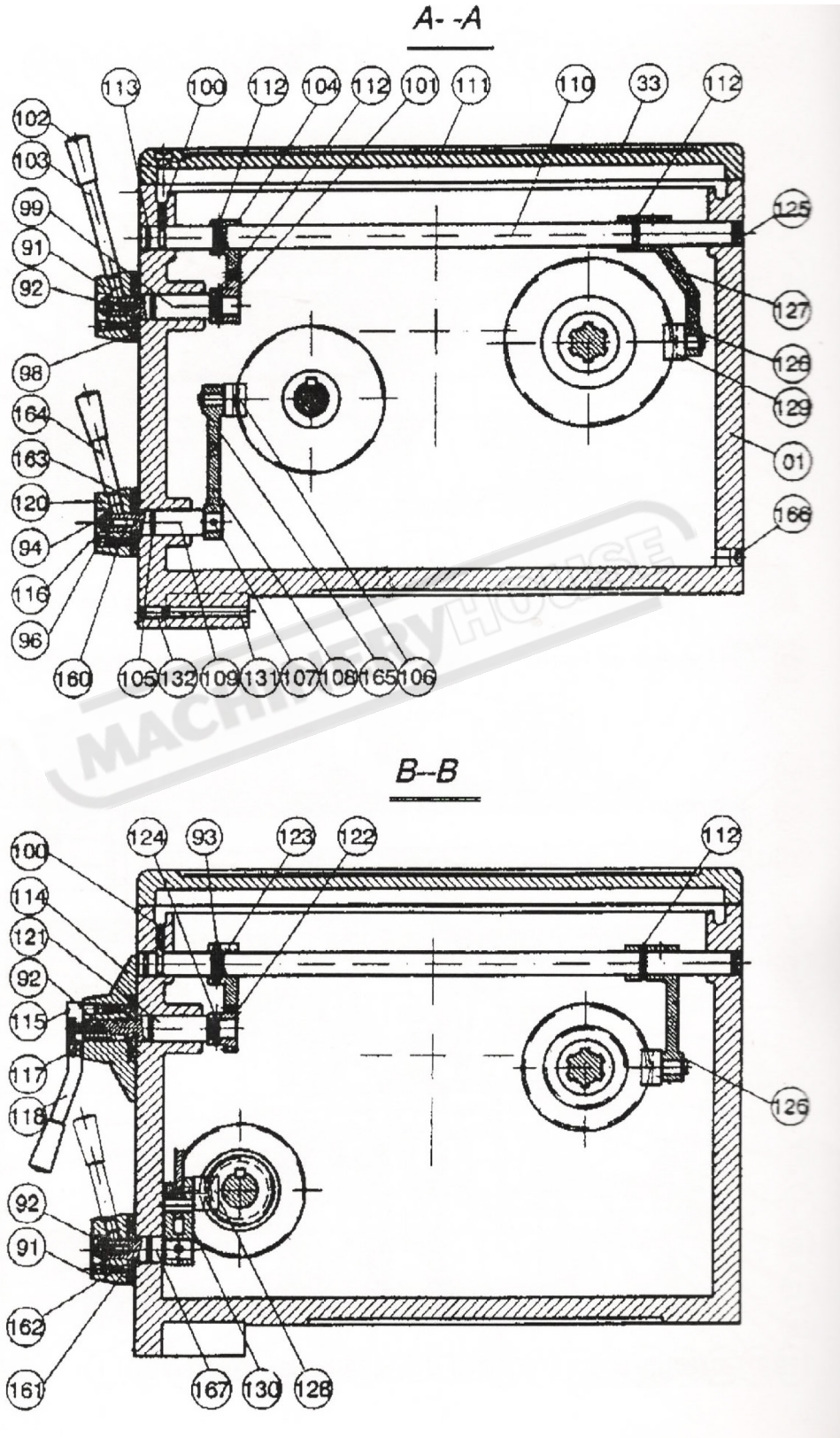
CL-460 HEADSTOCK PARTS



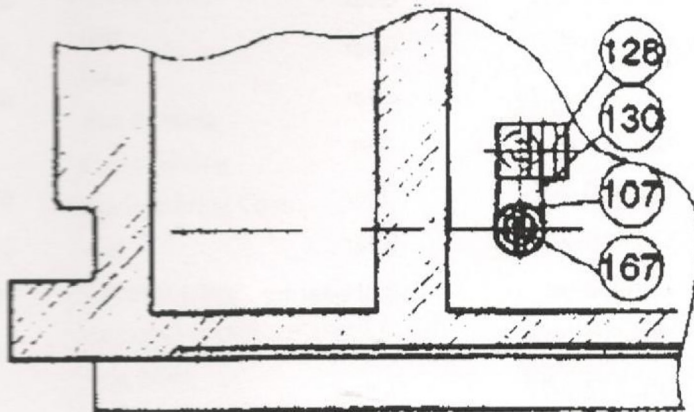
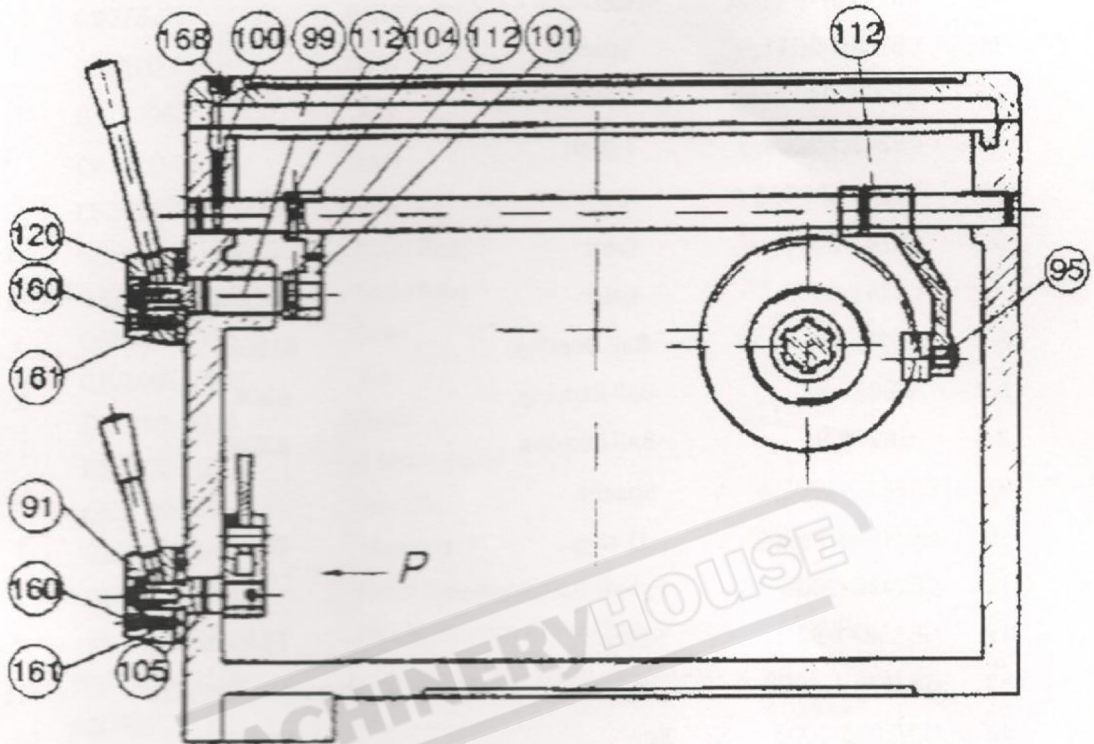
CL-460 HEADSTOCK PARTS Cont.



CL-460 HEADSTOCK PARTS Cont.



CL-460 HEADSTOCK PARTS Cont.



CL-460 HEADSTOCK PARTS LIST

No	Part No.	Item	Specification	Qty.
1	C6241D/46-2001	Headstock Carsting		1
2	C6241D-2011	Spacer		1
3	GB276-94	Ball Bearing	6205	7
4	C6241D-2004	I shaft		1
5	GB/1096-2003	Key	8x7x60	1
6	C6241-2010	Gear	20TXM2.75	1
7	C6241-2009	Gear	40TXM2.75	1
8	GB276-94	Ball Bearing	61908	1
8-1	GB276-94	Ball Bearing	6306	1
8-2	GB276-94	Ball Bearing	6206	1
9	C6241D-2004-1	Spacer		1
10	GB/T894.1-86	O-ring	30	1
11	C6241D-2006	I shaft flange cover		1
12	GB13871-92	Spacer	FB40X62X12	1
13	GB/T70.1-2000	Hex. cap screws	M6X16	11
14	GB/1096-2003	Key	8X7X45	1
15	C6241-2005	Pulley		1
16	GB/T 812-88	Nut	M30X1.5	1
17	GB/T 858-88	Toothed lock washer	30	1
18	C6241D-2020	III shaft		1
19	C6241D-2021	Gear	40TXM2.75	1
20	C6241D-2022	Gear	33TXM2.75	1
21	C6241D-2023	Gear	47TXM2.75	1
22	C6241-2032	Pin		1
23	C6241D-2024	Gear	46TXM2.75	1
24	C6241D-2025	Gear	24TXM2.75	1
25	GB276-94	Ball Bearing	6305	1
26	C6241D-2026	Plug		1
27	GB3452.1-92	O-ring	58X2.65	2
28	GB/T78-2000	Hex socket set screws	M8X10	1
29	C6241D-2031	Plug		1
30	C6241D-2014	II Shaft		1
31	C6241D-2028	IV Shaft		1
32	C6241D-2029	Gear	25TXM2.75	1
33	C6241D-2002-1	Spacer		1
34	C6241D-2030	Gear	47TXM2.75	1
35	GB/T894.1-86	Snap Ring	68	1
36	GB276-94	Ball Bearing	6204	1
37	C6241D-2019	Gear	24TXM2.75	1
38	GB/1096-2003	Key	8X7X35	1
39	C6241D-2018	Gear	38TXM2.75	1

OPERATION MANUAL

CL-460 HEADSTOCK PARTS LIST Cont.

No	Part No.	Item	Specification	Qty.
40	C6241-2017	Gear	31TXM2.75	1
41	GB/T894.1-86	Snap Ring	52	1
42	GB/T894.1-86	Snap Ring	34	1
43	C6241D-2015	Gear	31TXM2.75	1
44	GB/1096-2003	Key	8X7X25	1
45	C6241D-2016	Gear	51TXM2.75	1
46	C6241D-2012	II Shaft cover		1
47	C6241D-2033	Spindle	D6M6	1
48	GB/T297-94	Bearing	32024/P5	1
49	C6241D-2035	Front Bearing Cover		1
49-1	GB/T70.1-2000	Socket head cap screws	M6X40	5
50	GB/T70.1-2000	Socket head cap screws	M6X35	4
51	GB/1096-2003	key	10X8X85	1
52	C6241D-2037	Gear	72TXM2.75	1
53	C6241D-2038	Gear	50TXM2.75	1
54	C6241D-2039	Null		1
55	GB/T77-2000	Socket set screws Flat pt	M10X10	5
56	GB/T297-94	TAPERED Roller bearing	32022/P5	1
57	C6241D-2040	Nut		1
58	C6241D-2041	Gear	55TXM2.25	1
60	GB276-94	Ball Bearing	6020/P5	1
61	C6241D-2043	Cycle oil ring		1
62	C6241D-2044	Back Bearing Cover		1
63	C6241D-2046	Nut		1
64	C6241D-2047	Balance piece		1
65	GB/T79-2000	Socket set screws point	M6X8	4
66	6241D-2048	Shaft		1
67	GB3452.1-92	O-ring	30X2.65	1
68	C6241D-2050	Spacer		2
69	C6241D-2049	Gear	30TXM2.25	1
69-1	C6241D-2049-1	Cover		1
70	GB/T894.1-86	Snap Ring	30	1
71	C6241D-2051	Washer		1
72	C6241D-2054	C-shaft		1
73	C6241D-2060	Spacer		1
74	GB/T894.1-86	Snap Ring	48	1
75	C6241D-2059	Gear	36TXM2.25	1
76	C6241D-2056	Gear	24TXM2.25	1
77	GB/1096-2003	Key	6X6X60	1
78	C6241D-2055	Gear	55TXM2.25	1
79	C6241D-2052	Cover		1

OPERATION MANUAL

CL-460 HEADSTOCK PARTS LIST Cont.

No	Part No.	Item	Specification	Qty.
80	C6241D-2066	D-shaft		1
80-1	GB/1096-2003	Key	6X6X70	1
81	C6241D-2062	Gear	36TXM2.25	1
82	GB/1096-2003	Key	6X6X18	1
83	C6241D-2061	Gear	48TXM2.25	1
84	GB/T894.1-86	Snap Ring	40	1
85	C6241D-2065	D-shaft cover		1
86	GB276-94	Ball Bearing	6005	1
87	GB13871-92	Skeleton oil seal	FB25X47X7	1
88	GB/1096-2003	Key	6X6X28	2
88-1	GB/1096-2003	Key	6X6X20	1
89	GB/T120-2000	Pin (410)	16X55	1
89	GB/T120-2000	Pin (460)	16X80	1
90	GB/T70.1--2000	Socket head cap Screws(410)	M16X45	3
90	GB/T70.1--2000	Socket head cap Screws(460)	M16X70	3
91	C6241D-2077	Level hand		3
92	GB/1096-2003	Key	5X5X12	5
93	GB/T879.2-2000	Pin	5X35	3
94	C6241D-2078	Washer		4
95	C6241D-2071	Fork		1
96	GB/T77--2000	Socket set screws- Flat point	M8x8	6
97	GB/T93-87	Spring Spacer	16	3
98	C6241D-2076	Fix Black		5
99	C6241D-2075	Shaft		2
100	GB/T79--2000	Socket set screws-Dog point	M6X14	3
101	C6241-2074	Gear	29TXM2	2
102	JB/7271.3-94	Knob	BM10X40	5
103	JB/7271.6-94	Handle	BM10X63	2
104	C6241-2073	Gear	29TXM2	2
105	GB3452.1-92	O-ring	17X2.65	5
106	C6241D-2088	Fork		1
107	GB/T879.2-2000	Pin	4X30	2
108	C6241D-2089	Lever		1
109	C6241D-2090	Shaft		1
110	C6241D-2068	Shaft		3
111	C6241D-2002	Headstock cover		1
112	GB/T879.2-2000	Pin	5X30	7
113	GB3452.1-92	O-ring	15X2.65	3

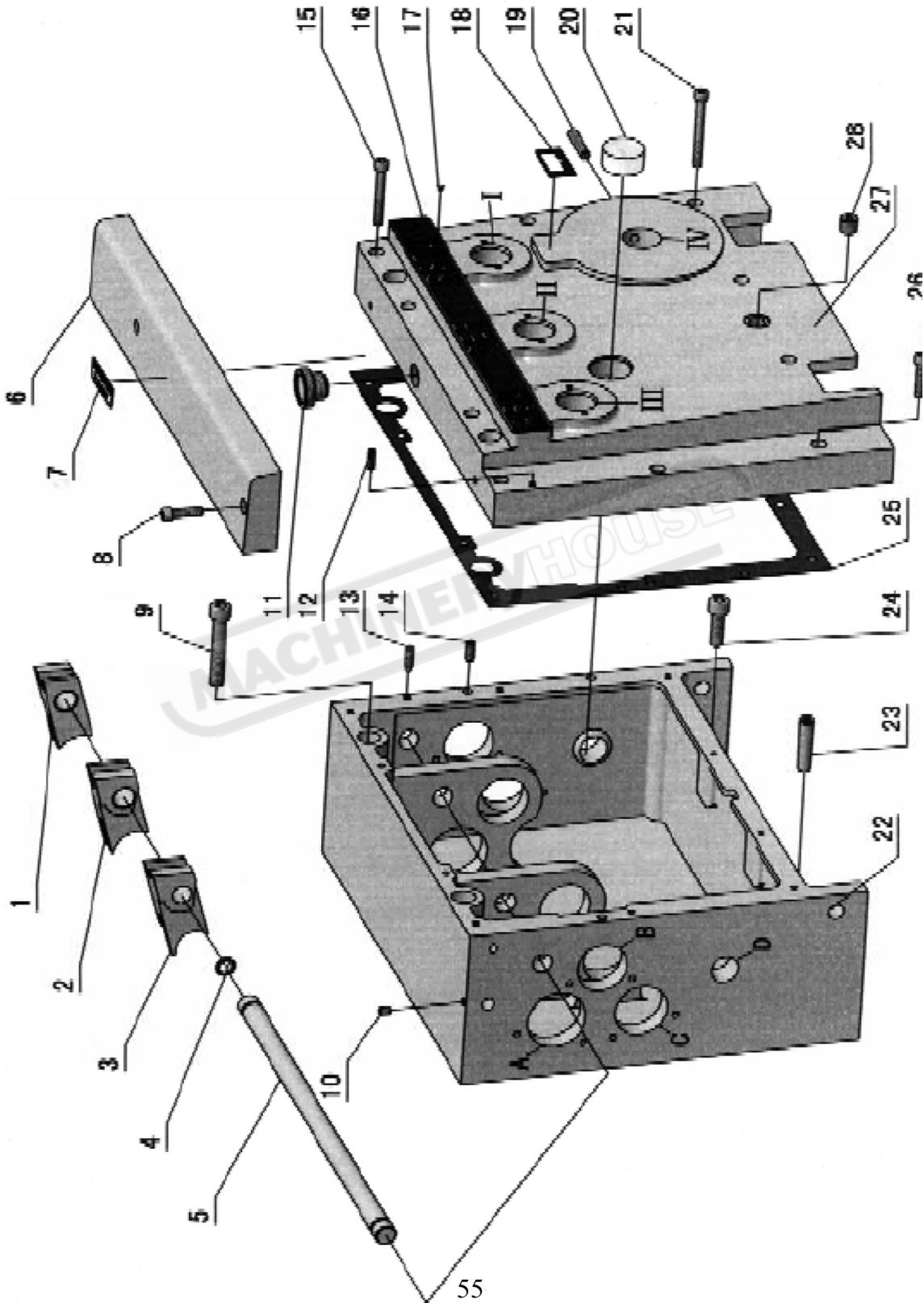
CL-460 HEADSTOCK PARTS LIST Cont.

No	Part No.	Item	Specification	Qty.
114	C6241-2083	Handle		1
115	C6241-2084	Fix Bracket		1
116	C6241-4048	Screw	M8X20	5
117	GB/T879.2-2000	Pin	4X20	1
118	C6241-2085	Lever		1
119	C6241-2067	Cover		1
120	C6241-2092	Handle		1
121	C6241-2082	Shaft		1
122	C6241-2081	Gear	16TXM2	1
123	C6241-2080	Gear	44TXM2	1
124	GB/T879.2-2000	Pin	5X25	1
125	C6241-2069	Plug		3
126	GB/T894.1-86	Snap Ring	12	3
127	C6241D-2070	Lever		3
128	C6241D-2095	Fork		1
129	C6241D-2072	Fork		2
130	C6241D-2093	Lever		1
131	C6241-2098	Pin		1
132	GB/T79--2000	Socket set screw-Dog point	M10X20	1
133	C6241D-2027	Spacer		1
134	C6241D-2097	Pin	A7X10X17	2
135	C6241D-2046-1	Brass		1
136	GB/1096-2003	Key	8X7X70	1
137	C6241D-2063	Spacer		1
138-1	GB/1096-2003	Key	10X8X18	2
138-2	C6241D-2057-2	Gear	48TXM2.25	2
138-3	C6241D-2057-3	Gear	24TXM2.25	2
139	C6241-2058	Spacer		1
139-1	C6241-2058-1	Spacer		2
140	GB12613.1-2002	Cover	25X28X12	4
141	JB/T9940.1-99	Cover	R5490X4	1
142	GB/T9204-2008	Center	DG4	1
143	C6260-2034	CAM LOCK		6
144	GB/T2089-94	Spring	1.2X7X25	6
145	C6260-2033-1	Screw	M8X20	6
146	C6260-2099	CAM LEVER		6
147	C6241D-2087	Plate		1
149-1	GB/T70.1-2000	Socket head cap screws	M10X90	1
149	GB/T70.1-2000	Socket head cap screws	M16X55	3
150	GB/T70.1-2000	Socket head cap screws	M3X6	6

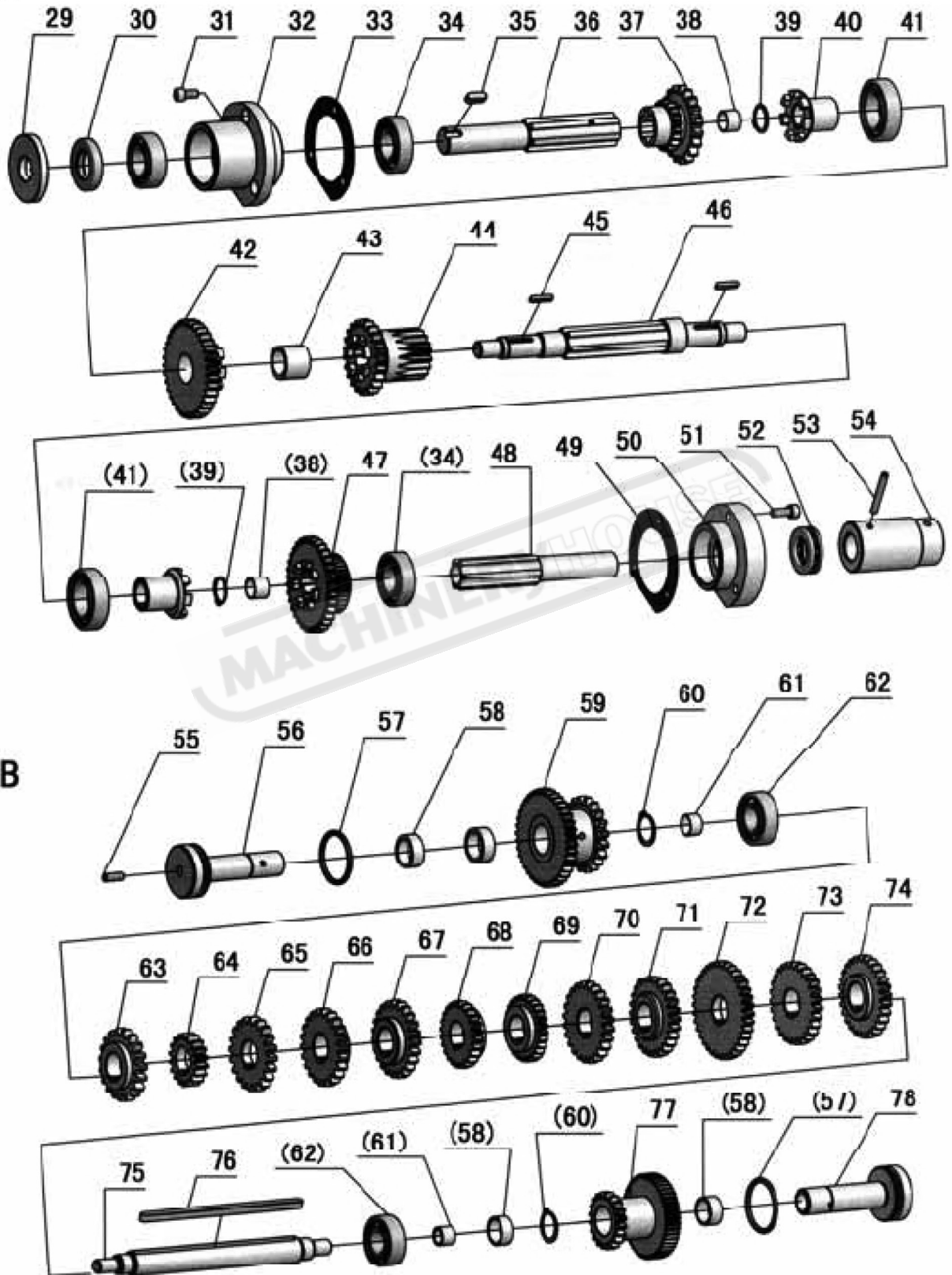
CL-460 HEADSTOCK PARTS LIST Cont.

No	Part No.	Item	Specification	Qty.
151	C6241-2086	Plate		1
152	JB/T7941.1	Oil lever	A20	1
153				
154	C6241-2079	Plate		4
155	GB/T894.1-86	Snap Ring	25	3
156	C6241-3100	Cover		1
157	GB/T70.1-2000	Socket head cap screws	M6X20	3
158	GB/T893.1-86	Snap Ring	62	1
159	C6241-2013	Gear	55TXM2.5	1
160	GB/T80--2000	Socket set screw-cup point	M5X25	5
161	GB308-89	Steel Ball	φ6	6
162	GB/T2089-94	Spring	1X5X25	6
163	GB/T68-2000	Slotted c/sunk head bolt	M6X12	10
164	JB/7271.3-94	Lever	BM10X25	2
165	GB/T894.1-86	Circlips for shaft-Type	10	2
166	JB/ZQ4447-97	Nut	NPT3/8"X19	1
167	C6241D-2090	Shaft		1
168	GB/T70.1-2000	Socket head cap screws	M8X20	5

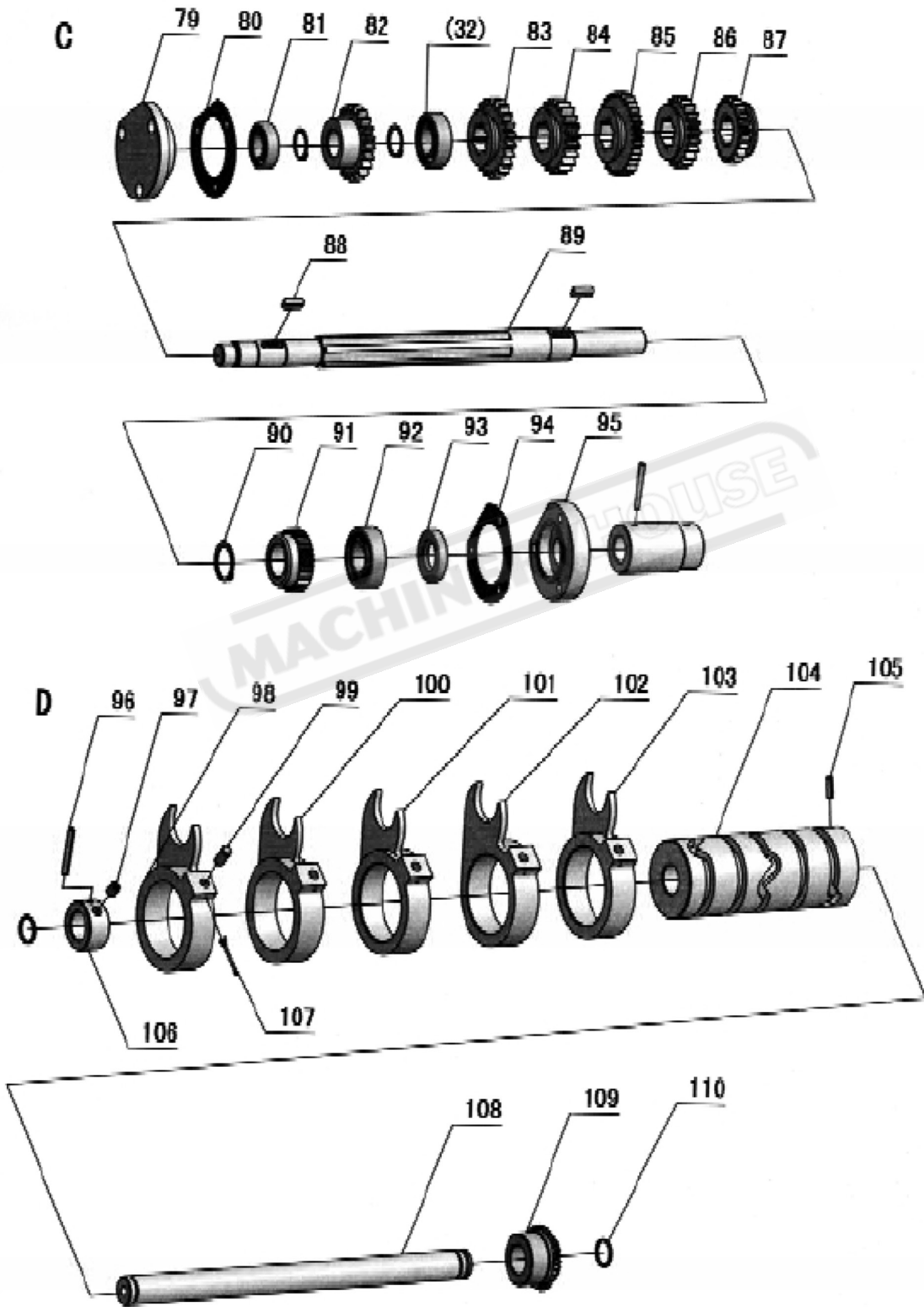
GEARBOX PARTS



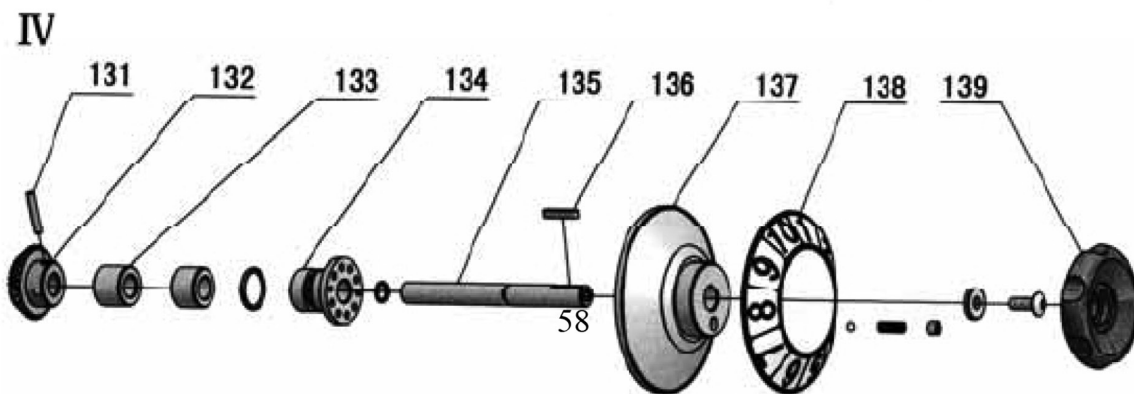
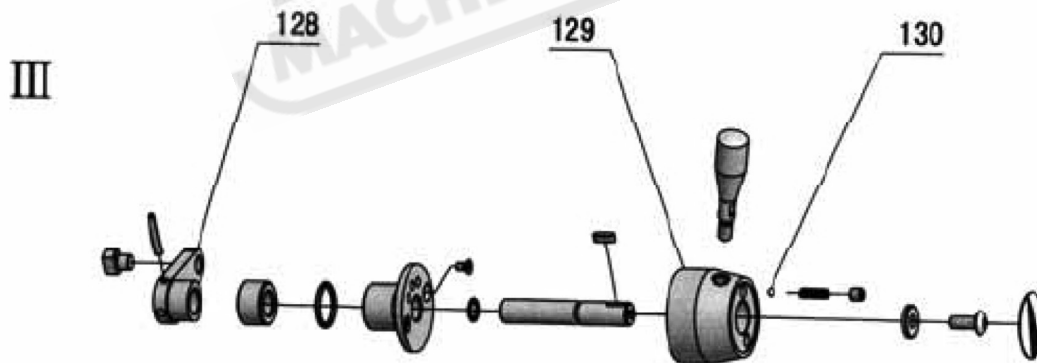
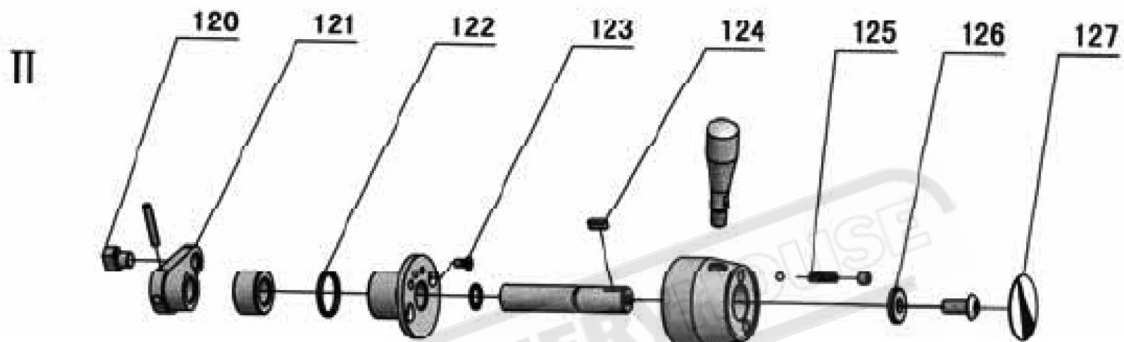
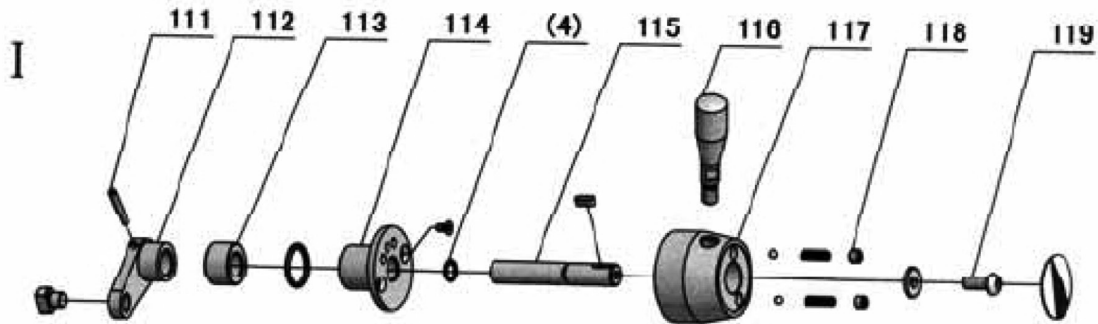
GEARBOX PARTS Cont.



GEARBOX PARTS Cont.



GEARBOX PARTS Cont.



GEARBOX PARTS LIST

No	Part No.	Item	Specification	Qty.
1	RUN6141-102070-1	Fork		1
2	RUN6246-102069	Fork		1
3	RUN6246-102069-1	Fork		1
4	GB1235-76	O-Ring	16×2.4	6
5	RUN6246-102077	Shaft		1
6	RUN6141-102061	Top Cover		1
7	RUN6246-102079	Plate		1
8	GB70-85	Screw	M6×30	2
9	GB70-85	Screw	M10×60	2
10	GB78-85	Screw	M6×8	1
11	RUN6246-103031	Oil Cover		1
12	GB879-86	Spring Pin	5×16	2
13	GB79-85	Socket Set Screw	M6×20	2
14	GB78-85	Screw	M6×16	2
15	GB70-85	Screw	M6×50	1
16	RUN6246-102080	Plate		1
17	GB827-86	Rivet	2×5	10
18	RUN6246-102081	Plate		1
19	GB78-85	Screw	M8×35	1
20	GB1160.1-89	Oil Sight Glass	20	1
21	GB70-85	Screw	M6×60	3
22	RUN6246-102001A	Gear Box		1
23	GB118-86	Taper Pin	10×45	2
24	GB70-85	Screw	M10×30	2
25	RUN6246-102001-2A	Sealed Mat		1
26	GB70-85	Screw	M6×30	3
27	RUN6141-102002A	Front Cover		1
28	G38-3A	Oil Plug	Z 3/8"	1
29	RUN6246-102052	Spacer		1
30		Oil-Seal	TC20×42×8	1
31	GB70-85	Socket Head Cap Screw	M6×12	6
32	RUN6246-102050	Cap		1
33	RUN6246-102050-1	Sealed Mat		1
34	GB278-89	Ball Bearing	80104	4
35	GB1096-79	Key	6×10	1
36	RUN6246-102049	B-Shaft		1
37	RUN6246-102048	Gear		1
38	SF-1	Ball Bearing	1410	2
39	GB894.1-86	Snap Ring	18	2
40	RUN6246-102047	Clutch		2

GEARBOX PARTS LIST Cont.

No	Part No.	Item	Specification	Qty.
41	GB278-89	Ball Bearing	80105	2
42	RUN6246-102046	Gear		1
43	SF-1	Ball Bearing	2020	1
44	RUN6246-102045	Gear		1
45	GB1096-79	Key	4x20	2
46	RUN6246-102044	A-Shaft		1
47	RUN6141-102042-1	Gear		1
48	RUN6246-102041	C-Shaft		1
49	RUN6246-102040-1	Sealed Mat		1
50	RUN6246-102040	Cap		1
51	GB70-85	Socket Cap Screw	M6x20	6
52	GB301-84	Thrust Bearing	8104	1
53	GB879-86	Spring Pin	5x35	2
54	RUN6246-102012	Collar-Linkage		2
55	GB78-85	Screw	M6x16	2
56	RUN6246-102023	E-Shaft		1
57	GB3452.1-82	O-Ring	35.5x3.55	2
58	SF-1	Ball Bearing	2012	4
59	RUN6246-102024	Gear		1
60	GB894.1-86	Snap Ring	20	4
61	SF-1	Ball Bearing	1218	2
62	RUN6246-102026	Gear		1
63	RUN6246-102027	Gear		1
64	RUN6246-102028	Gear		1
65	RUN6246-102029	Gear		1
66	RUN6246-102030	Gear		1
67	RUN6246-102031	Gear		1
68	RUN6246-102032	Gear		1
69	RUN6246-102033	Gear		1
70	RUN6246-102034	Gear		1
71	RUN6246-102035	Gear		1
72	RUN6246-102036	Gear		1
73	RUN6246-102037	Gear		1
74	RUN6246-102025	D-Shaft		1
75	GB1096-79	Key	6x146	1
76	GB278-89	Ball Bearing	80203	2
77	RUN6141-102038	Gear		1
78	RUN6246-102039	F-Shaft		1
79	RUN6246-102022	Cap		1
80	RUN6246-102022-1	Sealed Mat		1

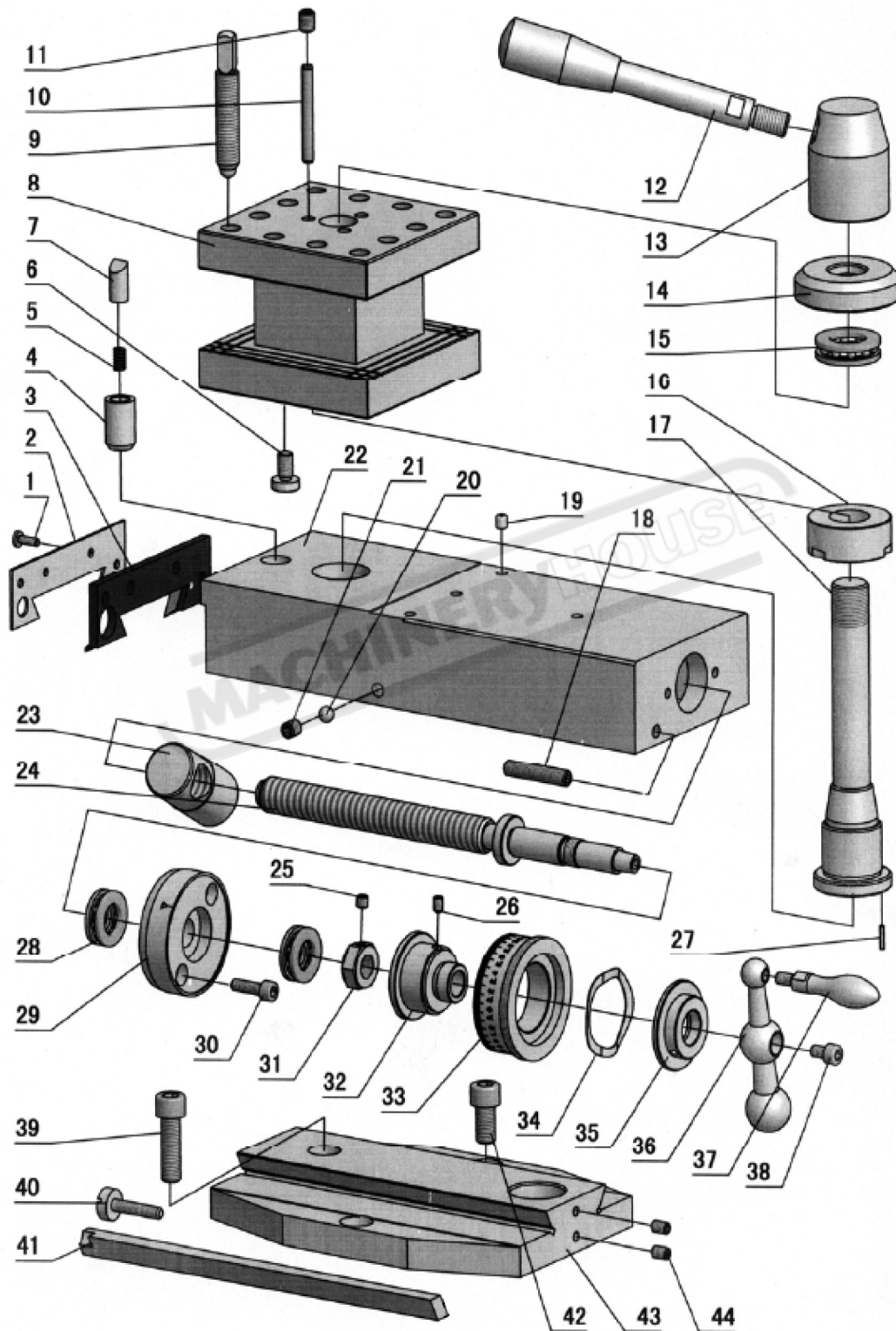
GEARBOX PARTS LIST Cont.

No	Part No.	Item	Specification	Qty.
81	GB278-89	Ball Bearing	80103	1
82	RUN6246-102020	Gear		1
83	RUN6246-102019	Gear		1
84	RUN6246-102018	Gear		1
85	RUN6246-102017	Gear		1
86	RUN6246-102016	Gear		1
87	RUN6246-102015	Gear		1
88	GB1096-79	Key	6×20	2
89	RUN6246-102021	G-Shaft		1
90	GB894.1-86	Snap Ring	25	1
91	RUN6141-102014-1	Gear		1
92	GB278-89	Ball Bearing	80204	1
93		Oil Seal	TC20×40×7	1
94	RUN6246-102013-1	Sealed Mat		1
95	RUN6246-102013	Cap-Right		1
96	GB879-86	Spring Pin	5×35	1
97	GB78-85	Socket Set Screw	M8×10	1
98	RUN6246-102008	Claw-Shifter		1
99	GB119-86	Pin	B8×16	5
100	RUN6246-102007	Claw-Shifter		1
101	RUN6246-102006	Claw-Shifter		1
102	RUN6246-102005	Claw-Shifter		1
103	RUN6246-102004	Claw-Shifter		1
104	RUN6246-102009	Cam Shifter		1
105	GB879-86	Spring Pin	5×16	2
106	RUN6246-102010	H-Shaft		1
107	GB91-86	Split Pin	2×30	5
108	RUN6246-102011	H-Shaft		1
109	RUN6246-102003	Bevel Gear		1
110	GB1235-76	O-Ring	22×2.4	2
111	GB879-86	Spring Pin	5×30	3
112	RUN6246-102066	Arm		1
113	RUN6141-102062-2	Spacer		4
114	RUN6246-102075	Detent Plate		3
115	RUN6141-102072	Shaft		3
116	RUN6246-102056-1	Lever		3
117	RUN6246-102076	Speed Change Handle		1
118	GB77-85	Screw	M8×8	5
119	RUN6246-101088	Screw		4
120	RUN6246-102073	Fork		3

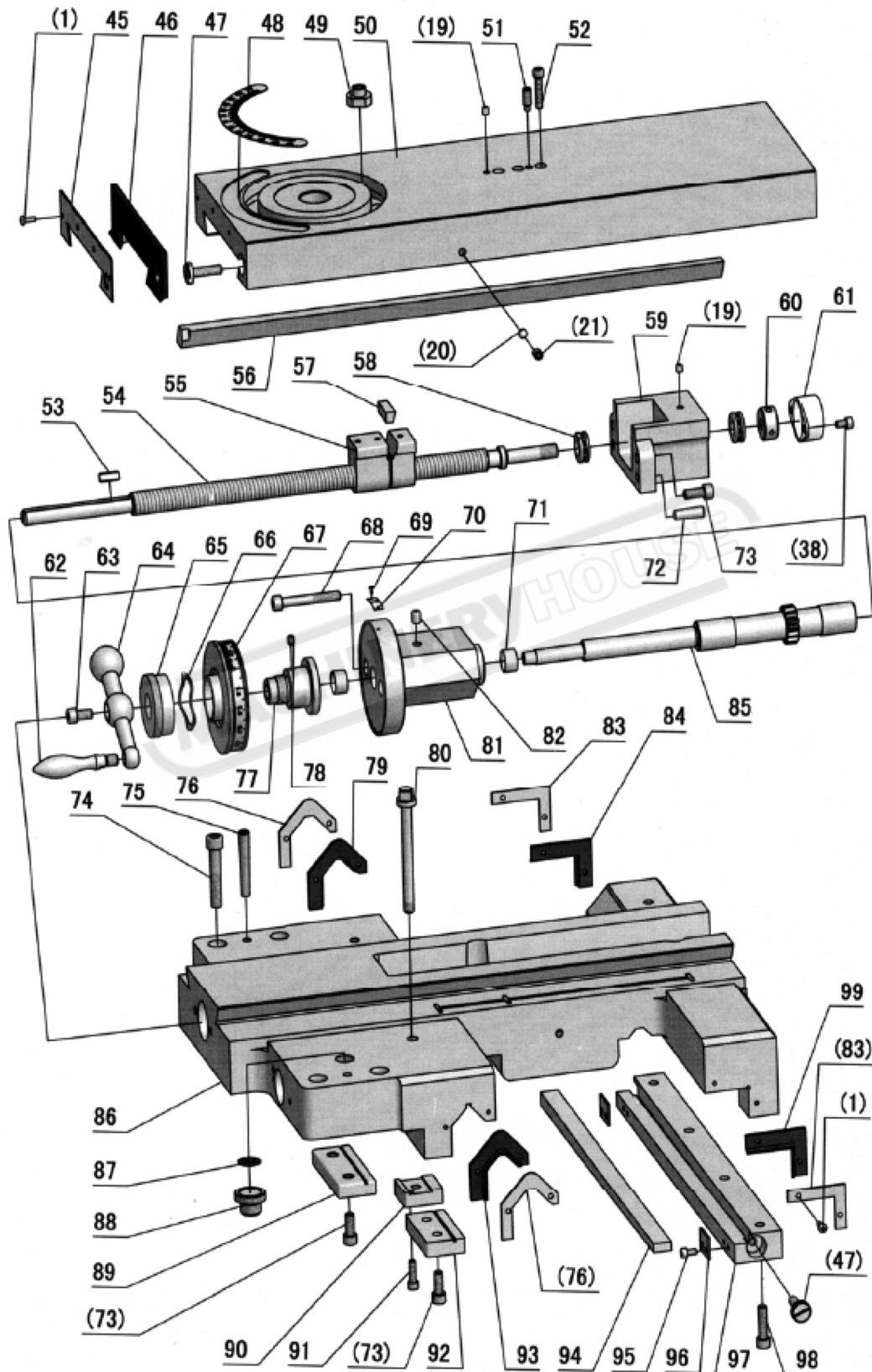
GEARBOX PARTS LIST Cont.

No	Part No.	Item	Specification	Qty.
121	RUN6246-102067	Arm		1
122	GB1235-76	O-Ring	30×3.1	4
123	GB819-85	Screw	M5×10	6
124	GB1096-79	Key	5×14	3
125	RUN6246-101066	Spring		5
126	RUN6246-101070-1	Washer		4
127	RUN6246-101099	Plate		3
128	RUN6246-102068	Arm		1
129	RUN6246-102065	Speed Change Handle		2
130	GB308-77	Steel Ball	1/4"	5
131	GB879-76	Spring Pin	5×30	1
132	RUN6246-102060	Bevel Gear		1
133	RUN6246-102062-1	Spacer		1
134	RUN6246-102062	Shaft Sleeve		1
135	RUN6141-102055	Shaft		1
136	GB1096-79	Key	5×28	1
137	RUN6246-102063	Selecting Dial		1
138	RUN6246-102082	Plate		1
139	RUN6246-102053	Wheel		1

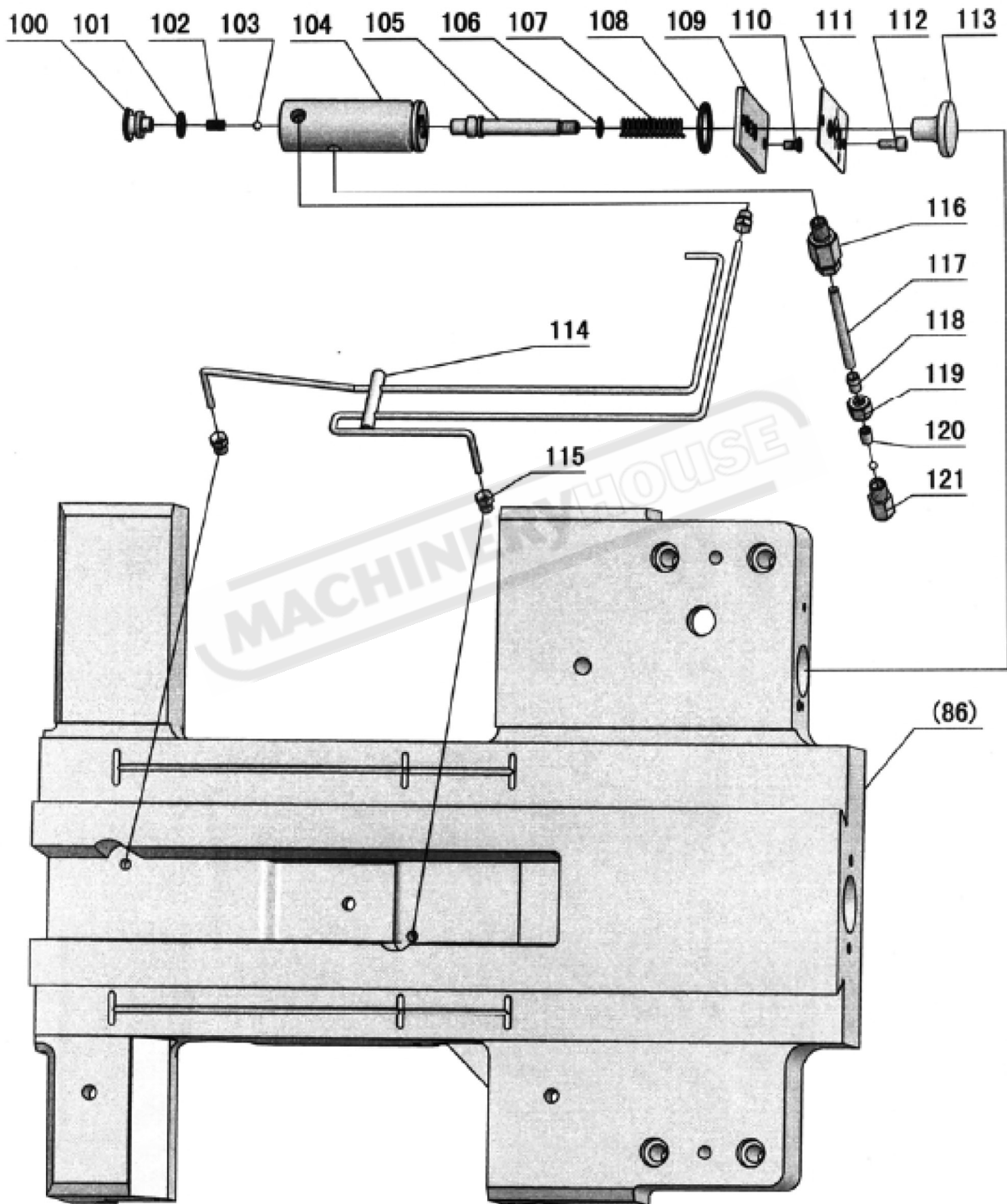
SADDLE PARTS



SADDLE PARTS Cont.



SADDLE PARTS Cont.



OPERATION MANUAL

SADDLE PARTS LIST Cont.

No	Part No.	Item	Specification	Qty.
1	GB818-85	Screw	M4×12	16
2	RUN6141-103101	Case-Wiper		1
3	RUN6141-103100	Wiper		1
4	RUN6246-103056-1	Sleeve		1
5	GB2089-80	Spring	1×5×18	1
6	RUN6246-103058-2	Adjust Screw (Flat Type)		3
7	RUN6246-103057-2	Round Pin		1
8	RUN6141-103058	Four Way Tool Post (Flat Type)		1
8	RUN6141-103058-3	Four Way Tool Post (T Type)		1
8	RUN6141-103058-4	Block-Tee (T Type)		1
9	GB83-88	Screw	M12×55	12
10	GB119-86	Pin	D6×50	3
11	GB77-85	Screw	M8×10	3
12	RUN6246-103062	Clamping Handle		1
13	RUN6246-103061	Clamping Handle		1
14	RUN6246-103060	Washer		1
15	GB301-84	Thrust Bearing	8104	1
16	RUN6246-103058-1	Sleeve (Flat Type)		1
17	RUN6141-103054	Tool Post Shaft (Flat Type)		1
17	RUN6141-103054-1	Tool Post Shaft (T Type)		1
18	GB77-85	Screw	M8×40	1
19	GB1155-79	Ball Cup	6	6
20	GB308-84	Steel Ball	1/4"	2
21	GB80-85	Screw	M8×10	2
22	RUN6141-103050	Compound Rest (Flat Type)		1
22	RUN6141-103050-2	Compound Rest (T Type)		1
23	RUN6246-103043-1	Nut (Run6141 Metric)		1
23	RUN6246-103043-2	Nut (Run6141 Inch)		1
23	RUN6246H-103043-1	Nut (Run6246h Metric)		1
23	RUN6246H-103043-2	Nut (Run6246h Inch)		1
24	RUN6246-103043	Screw-Compound Rest (Metric)		1
24	RUN6246-103043-3	Screw-Compound Rest (Inch)		1
25	GB77-85	Screw	M6×6	1
26	GB80-85	Screw	M5×8	1
27	GB879-86	Spring Pin	2×12	1
28	GB301-84	Thrust Bearing	8102	2
29	RUN6246-103044	Seat Compound Rest Screw		1
30	GB70-85	Screw	M6×20	2
31	RUN6246-103044-1	Nut		1
32	RUN6246-103045	Collar		1

SADDLE PARTS LIST Cont.

No	Part No.	Item	Specification	Qty.
33	RUN6246-103046-1	Dial-Compound Rest (Metric)		1
33	RUN6246-103046-2	Dial-Compound Rest (Inch)		1
34	RUN6246-103047-1	Wave Type Washer		1
35	RUN6246-103047	Nut		1
36	RUN6246-103048	Handle		1
37	RUN6246-103049	Handle		1
38	GB70-85	Screw	M6×10	3
39	GB70-85	Screw(C6241)	M10×35	1
39	GB70-85	Screw(C6246H)	M10×60	1
40	RUN6246-103037	Screw		1
41	RUN6141-103051	Gib		1
42	GB70-85	Screw(C6241)	M10×20	2
42	GB70-85	Screw(C6246H)	M10×35	2
43	RUN6141-103041	Swivel Table		1
43	RUN6246H-103041	Swivel Table		1
44	GB80-85	Screw	M6×10	2
45	RUN6141-103039	Case-Wiper		1
46	RUN6141-103038	Wiper		1
47	RUN6246-103036	Screw		4
48	RUN6141-103002-1	Indicator Dial		1
49	RUN6246-103040	Nut		3
50	RUN6141-103002	Cover-Cross Sliding		1
51	GB79-85	Screw	M8×20	1
52	GB70-85	Screw	M6×30	3
53	RUN6246-103022-2	Key		1
54	RUN6141-103021	Cross Feed Screw (Inch)		1
54	RUN6141-103021-1	Cross Feed Screw (Metric)		1
55	RUN6141-103003	Nut (Metric)		1
55	RUN6141-103003-1	Nut (Inch)		1
56	RUN6141-103035	Gib		1
57	RUN6246-103004	Gib		1
58	GB301-84	Thrust Bearing	8101	2
59	RUN6141-103007	Bracket		1
60	RUN6246-103007-1	Nut		1
61	RUN6141-103105	Cover		1
62	RUN6246-103030A	Handle		1
63	GB70-85	Screw	M8×16	1
64	RUN6246-103029	Handle		1
65	RUN6246-103028	Nut		1
66	RUN6246-103025	Wave Type Washer		1

SADDLE PARTS LIST Cont.

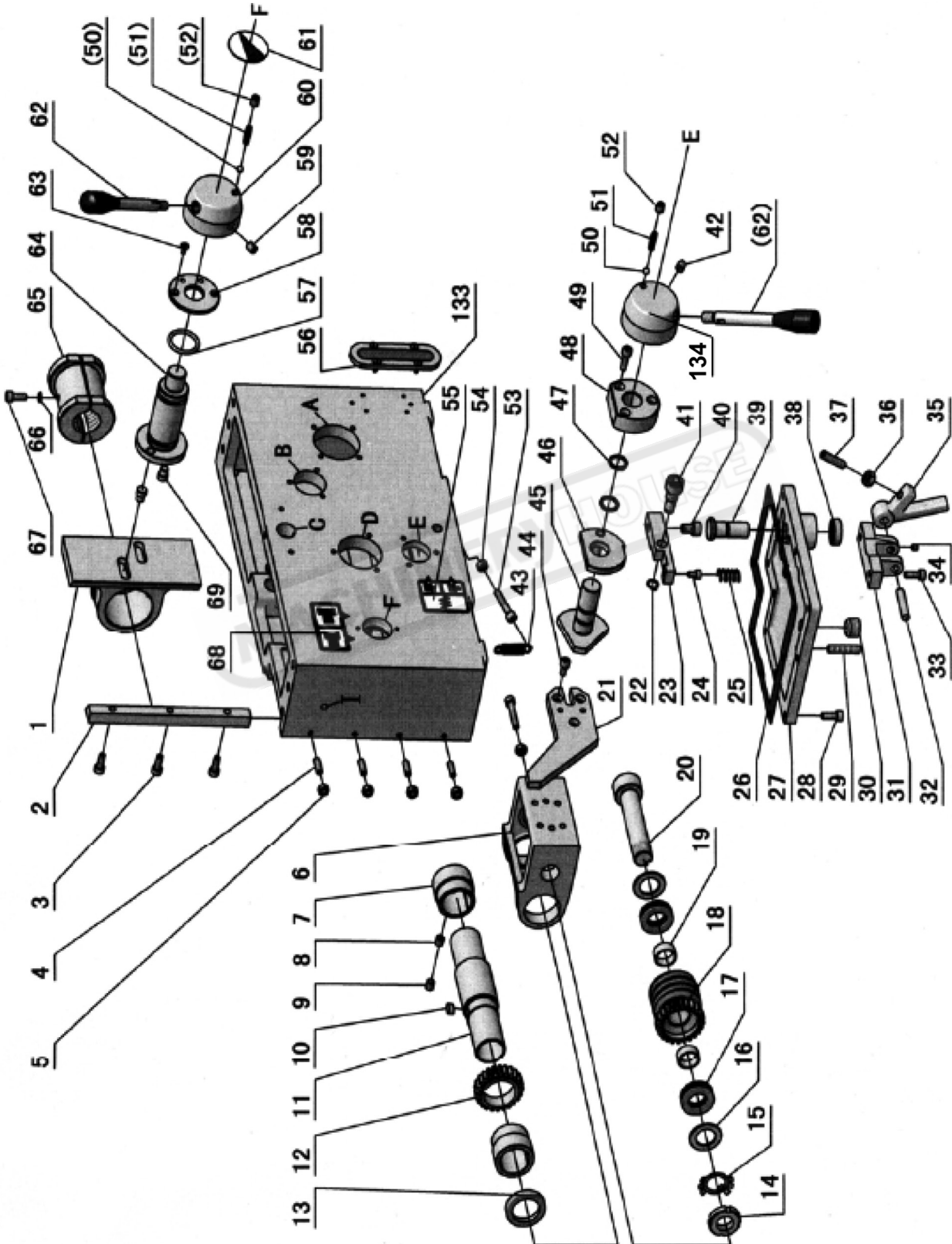
No	Part No.	Item	Specification	Qty.
67	RUN6141-103027	Cross Feed Dial (Metric)		1
67	RUN6141-103027-1	Cross Feed Dial (Inch)		1
68	GB70-85	Screw	M8×60	2
69	GB278-86	Screw	2×5	2
70	RUN460-105031	Plate		1
71	SF-1	Bearing	1810	2
72	GB118-86	Taper Pin	6×26	2
73	GB70-85	Screw	M8×20	6
74	GB70-85	Screw	M10×55	4
75	GB118-86	Taper Pin	8×60	2
76	RUN6141-103013	Case-Wiper		2
77	RUN6246-103026	Clutch-Dial		1
78	GB80-85	Screw	M6×8	1
79	RUN6141-103011	Wiper		1
80	RUN6246-103077	Bolt		1
81	RUN6246-103023	Bracket		1
82	GB1155-79	Ball Cup	8	1
83	RUN6141-103010	Case-Wiper		2
84	RUN6141-103008	Wiper		1
85	RUN6246-103022	Cross Feed Pinion		1
86	RUN6141-103001	Saddle		1
87	RUN6246-103031-1	Plate		1
88	RUN6246-103031	Plug-Oil Inlet		1
89	RUN6141-103020	Gib-Front		1
90	RUN6246-103019	Clamp-Carriage		1
91	GB70-85	Screw	M6×20	1
92	RUN6141-103018	Gib-Left-Front		1
93	RUN6141-103012	Wiper		1
94	RUN6141-103015	Gib		1
95	GB70-85	Screw	M5×10	4
96	RUN6141-103016-1	Baffle		2
97	RUN6141-103016	Holder Gib		1
98	GB70-85	Screw	M8×30	4
99	RUN6141-103009	Wiper		1
100	RUN6246-103070	Oil Plug		1
101	GB1235-76	O-Ring	16×2.4	1
102	GB2089-80	Spring	0.5×4.5×16	1
103	GB308-84	Steel Ball	φ5	2
104	RUN6246-103063	Body Pump		1
105	RUN6246-103064	Piston Rod		1

SADDLE PARTS LIST Cont.

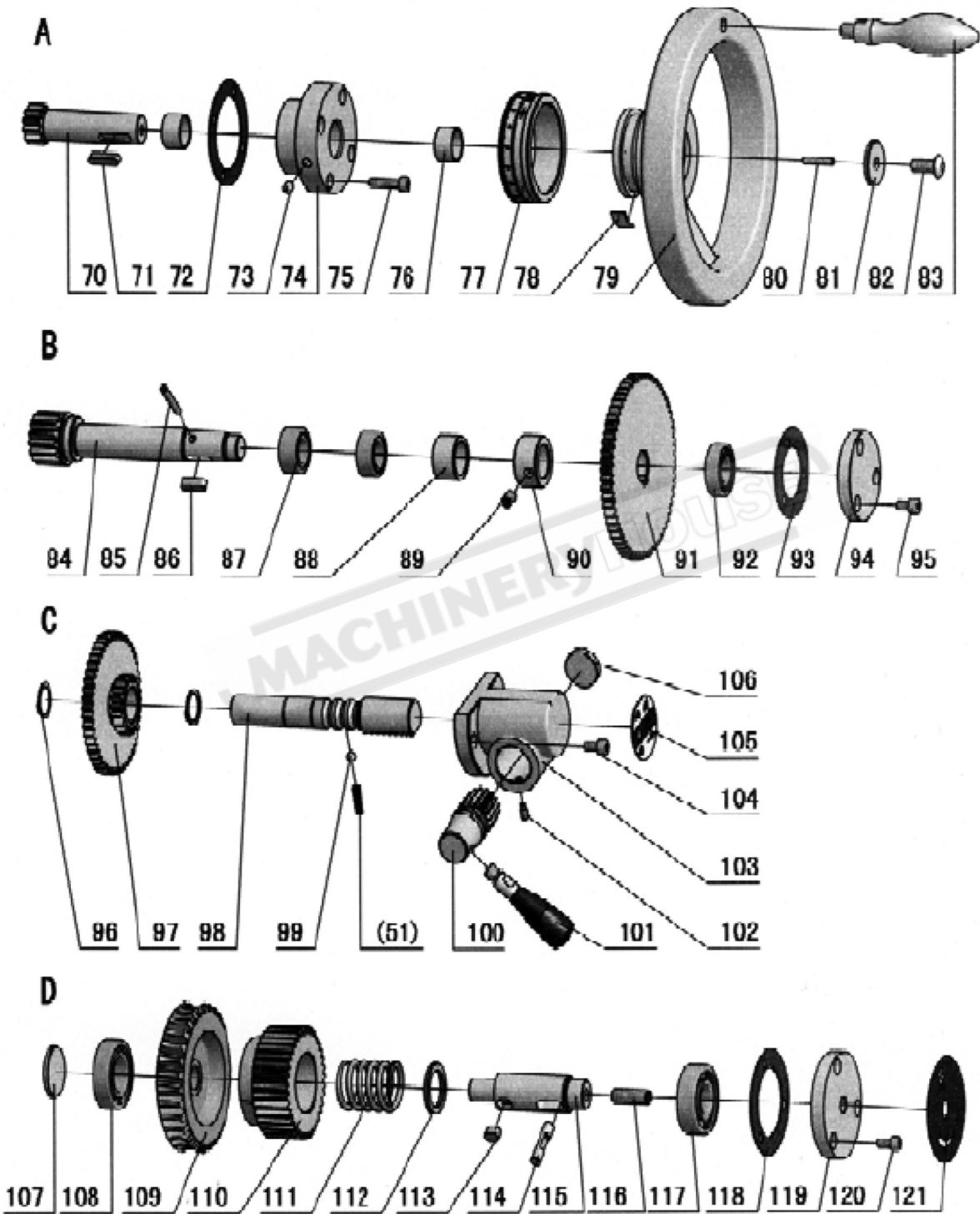
No	Part No.	Item	Specification	Qty.
106	GB3452.1-82	O-Ring	9×1.8	1
107	RUN6246-103065	Spring		1
108	GB1235-76	O-Ring	32×3.1	1
109	RUN6246-103066	Bottom Board		1
110	GB68-85	Screw	M5×10	2
111	RUN6246-103068	Plate		1
112	GB70-85	Screw	M5×12	2
113	RUN6246-103067	Plug		1
114	RUN6141-103106	Vitta welding		1
115		Tube Fitting	Z 1/8"×φ4	3
116		Tube Fitting	Z 1/8"×φ6	1
117		Brass Tube	φ6×170	1
118	RUN6246-103071	Tube Fitting		1
119	RUN6246-103072	Nut		1
120	RUN6246-103073-2	Sleeve		1
121	RUN6246-103073-1	One Way Valve Ass		1

MACHINERYHOUSE

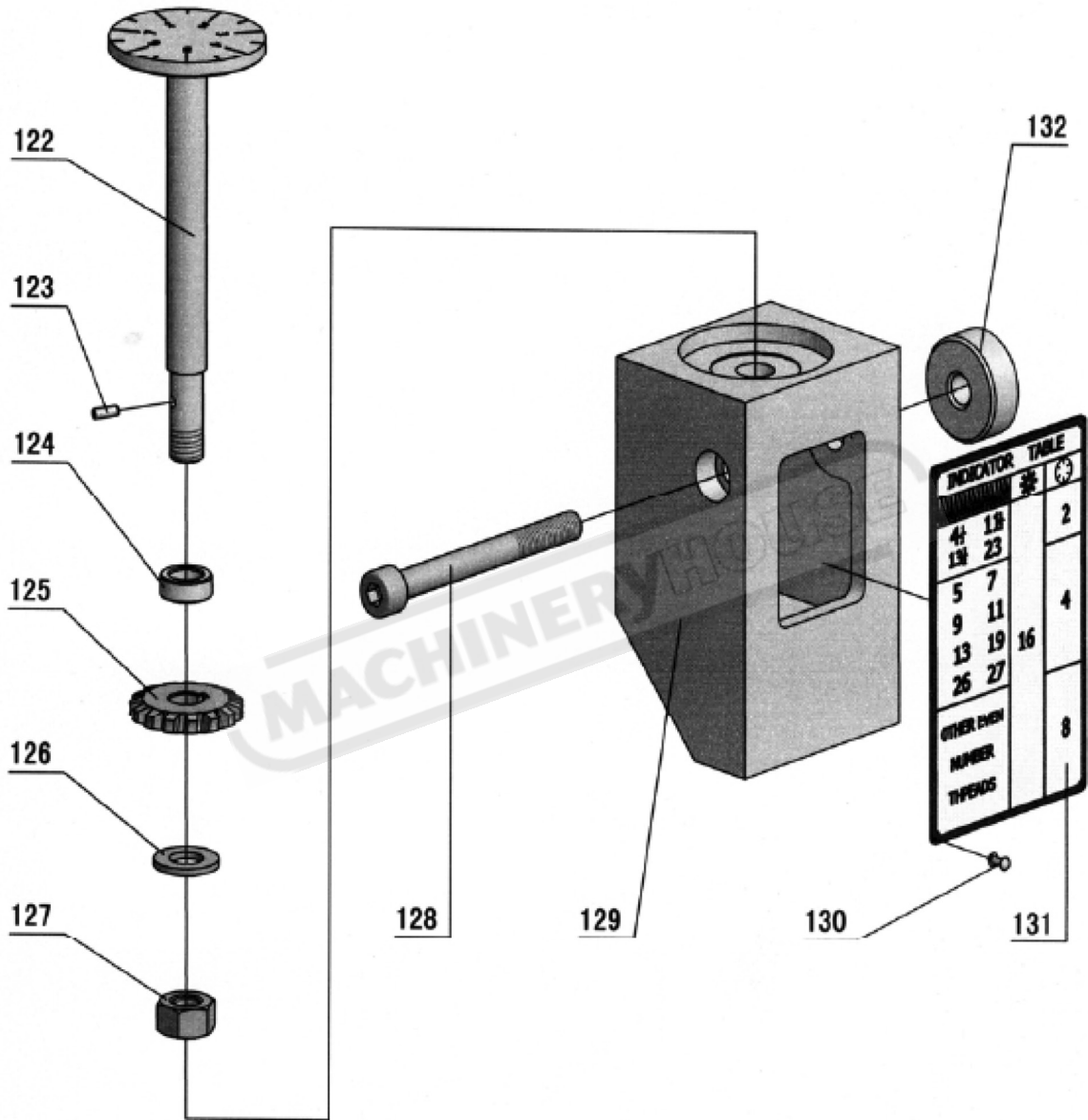
APRON PARTS



APRON PARTS Cont.



APRON PARTS Cont.



OPERATION MANUAL

APRON PARTS LIST

No	Part No.	Item	Specification	Qty.
1	RUN460-104003A	Lead Nut Assy (Right Hand)		1
1	RUN460-104003B	Lead Nut Assy (Left Hand)		1
2	RUN460-104002	Gib		1
3	GB70-85	Screw	M6×16	3
4	GB80-85	Screw	M6×20	4
5	GB6170-86	Nut	M6	4
6	RUN460-104018-01	Seat-Worm		1
7	RUN460-104015	Bushing		2
8	GB80-85	Screw	M8×10	2
9	GB77-85	Screw	M8×10	2
10	GB1096-79	Key	6×12	1
11	RUN460-104016	Sleeve-Feed Rod		1
12	RUN460-104017	Gear		1
13		Oil Seal	TC32×42×8	2
14	GB812-88	Nut	M20×1.5	1
15	GB858-88	Nut	20	1
16	RUN6246-104020/1	Washer		2
17	GB301-84	Thrust Bearing	8104	2
18	RUN460-104020	Worm Gear		1
19	CB85-2010	Set	20	2
20	RUN6246-104019	Shaft		1
21	RUN460-104023-01	Safe Device Block (Right Hand)		1
21	RUN460-104023-02	Safe Device Block (Left Hand)		1
22	GB894.1-86	Snap Ring	10	1
23	RUN460-104030	Lever		1
24	GB70-85	Screw	M5×8	1
25	RUN460-104032	Spring		1
26	RUN460-104011	Bottom Cover		1
27	RUN460-104011-1	Sealed Mat		1
28	GB70-85	Screw	M6×16	9
29	GB77-85	Screw	M6×35	1
30	G38-3A	Oil Plug	Z 3/8"	1
31	RUN460-104012	Bracket		1
32	GB119-86	Pin	B8×40	1
33	GB70-85	Screw	M6×16	2
34	GB80-85	Screw	M6×6	1
35	RUN460-104014	Lever		1
36	GB77-85	Screw	M8×30	1
37	GB6170-86	Nut	M8	1
38		Oil Seal	TC15×25×7	1

APRON PARTS LIST Cont.

No	Part No.	Item	Specification	Qty.
39	RUN460-104010	Pin		1
40	GB70-85	Screw	M8×12	1
41	RUN460-104031	Screw		1
42	GB80-85	Screw	M8×10	1
43	RUN460-104022-01	Spring		1
44	GB70-85	Screw	M6×12	3
45	RUN460-104026-01	Shaft (Right Hand)		1
45	RUN460-104026-02	Shaft (Left Hand)		1
46	RUN460-104027-H02	Buffer (Right Hand)		1
46	RUN460-104027-H01	Buffer (Left Hand)		1
47	GB1235-76	O-Ring	20×24	2
48	RUN460-104028	Sleeve		1
49	GB70-85	Screw	M6×20	3
50	GB308-84	Steel Ball	1/4"	2
51	RUN6246-101066	Spring		3
52	GB77-85	Screw	M8×10	2
53	GB70-85	Screw	M6×35	2
54	GB6170-86	Nut	M6	2
55	RUN6246-104074	Knob (Right Hand)		1
55	RUN6246-104074-2	Knob (Left Hand)		1
56	RUN460-104068	Oil Sight		1
57	GB1235-76	O-Ring	32×35	2
58	RUN460-104007/1	Washer		1
59	GB80-85	Screw	M8×10	1
60	RUN460-104007-02	Shaft Sleeve (Right Hand)		1
60	RUN460-104007-01	Shaft Sleeve (Left Hand)		1
61	RUN6246-101099	Plate		1
62	RUN460-104008	Lever		2
63	GB819-85	Screw	M4×10	2
64	RUN460-104006-01	Shaft (Right Hand)		1
64	RUN460-104006-02	Shaft (Left Hand)		1
65	RUN6246-104004-01	Haft Nut (Metric)		1
65	RUN6246-104004-02	Haft Nut (Inch)		1
66	GB93-87	Spring Pin	6	2
67	GB70-85	Screw	M6×16	2
68	RUN460-104073	Plate (Right Hand)		1
68	RUN460-104073-1	Plate (Left Hand)		1
69	RUN460-104005	Key	6×25	2
70	RUN460-104051	Shaft		1
71	GB1096-79	Key		1

OPERATION MANUAL

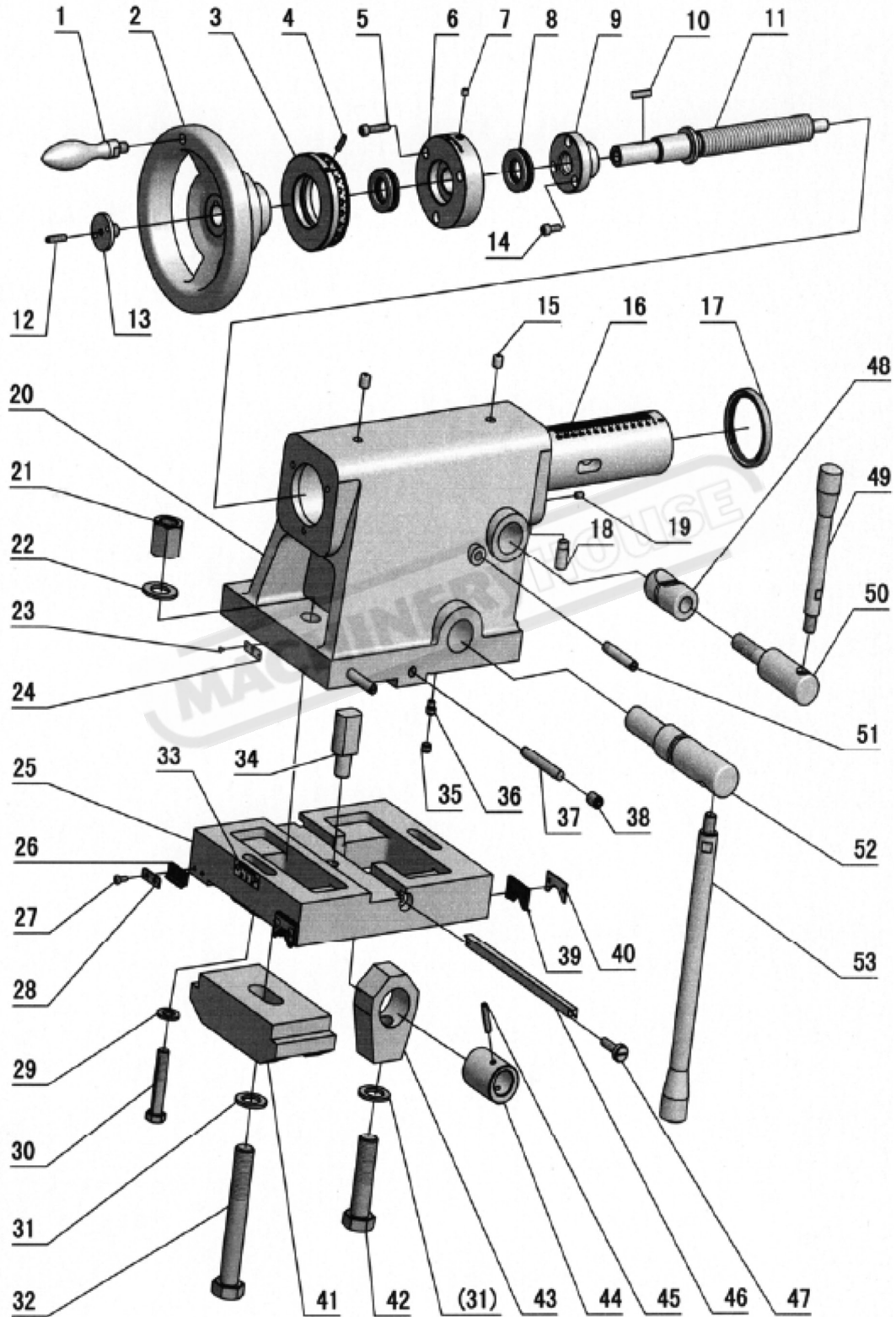
APRON PARTS LIST Cont.

No	Part No.	Item	Specification	Qty.
72	RUN460-104052-1	Sealed Mat		1
73	GB1155-89	Ball Cup	6	1
74	RUN460-104052	Seat		1
75	GB70-85	Screw	M6×25	4
76	SF-1	Bearing	2010	2
77	RUN460-104054-01	Dial-Rack (Metric)		1
77	RUN460-104054-02	Dial-Rack (Inch)		1
78	Q67-4-33	Spring	80	1
79	RUN460-104055	Hand Wheel		1
80	GB77-85	Screw	M4×20	1
81	RUN460-104057	Washer		1
82	RUN6246-101088	Screw		1
83	RUN460-104056A	Handle		1
84	RUN460-104047	Pinon		1
85	GB879-86	Pin	5×35	1
86	GB1096-79	Key	6×20	1
87	GB5801-86	Needle Bearing	4644903	2
88	RUN460-104053	Sleeve		1
89	GB80-85	Screw	M8×12	1
90	RUN460-104048	Spacer		1
91	RUN460-104049	Gear		1
92	GB278-89	Ball Bearing	80103	1
93	RUN460-104050-1	Sealed Mat		1
94	RUN460-104050	Cover		1
95	GB70-85	Screw	M6×12	3
96	GB894.1-86	Snap Ring	20	2
97	RUN460-104041	Gear		1
98	RUN460-104042	Shaft		1
99	GB308-84	Steel Ball	7/32"	1
100	RUN460-104044	Change Gear		1
101	RUN460-104045	Handle Lever		1
102	GB79-85	Screw	M5×10	1
103	RUN460-104043	Change Sleeve		1
104	GB70-85	Screw	M6×12	2
105	RUN460-104077	Plate		1
106	RUN460-104043/1	Plug		1
107	RUN460-104036-1	Cover		1
108	GB278-89	Ball Bearing	180105	1
109	RUN460-104034	Worm Gear		1
110	RUN460-104035	Gear		1

APRON PARTS LIST Cont.

No	Part No.	Item	Specification	Qty.
111	RUN460-104038	Spring		1
112	RUN460-104039	Spacer		1
113	GB1096-79	Key	8×12	1
114	RUN460-104037	Pin		1
115	RUN460-104036	Cover		1
116	GB77-85	Screw		1
117	GB278-89	Ball Bearing	80204	1
118	RUN460-104040-1	Sealed Mat		1
119	RUN460-104040	Cover		1
120	GB70-85	Screw	M6×12	3
121	RUN6246-104072	Plate		1
122	RUN460-104059B	Dial Indicator Shaft (Metric)		1
122	RUN460-104059A	Dial Indicator Shaft (Inch)		1
123	GB879-86	Pin	3×8	1
124	RUN460-104046	Spacer		1
125	RUN460-104061	Gear (Metric)		1
125	RUN460-104062	Gear (Metric)		1
125	RUN460-104063	Gear (Inch)		1
125	RUN460-104066	Gear (Metric)		1
125	RUN460-104067	Gear (Metric)		1
126	GB97.2-85	Washer	10	1
127	GB6170-86	Nut	M10	1
128	GB70-85	Screw	M8×85	1
129	RUN460-104058	Thread Dial Body		1
130	GB827-86	Rivet	2×5	10
131	RUN6246-104071	Indicator Dial (Metric)		1
131	RUN6246-104071-1	Indicator Dial (Inch)		1
132	RUN460-104024	Spacer		1
133	RUN6246-104001A	Apron (Right Hand)		1
133	RUN460-104001B	Apron (Left Hand)		1
134	RUN460-104029-01	Hub (Right Hand)		1
134	RUN460-104029-02	Hub (Left Hand)		1

TAILSTOCK PARTS



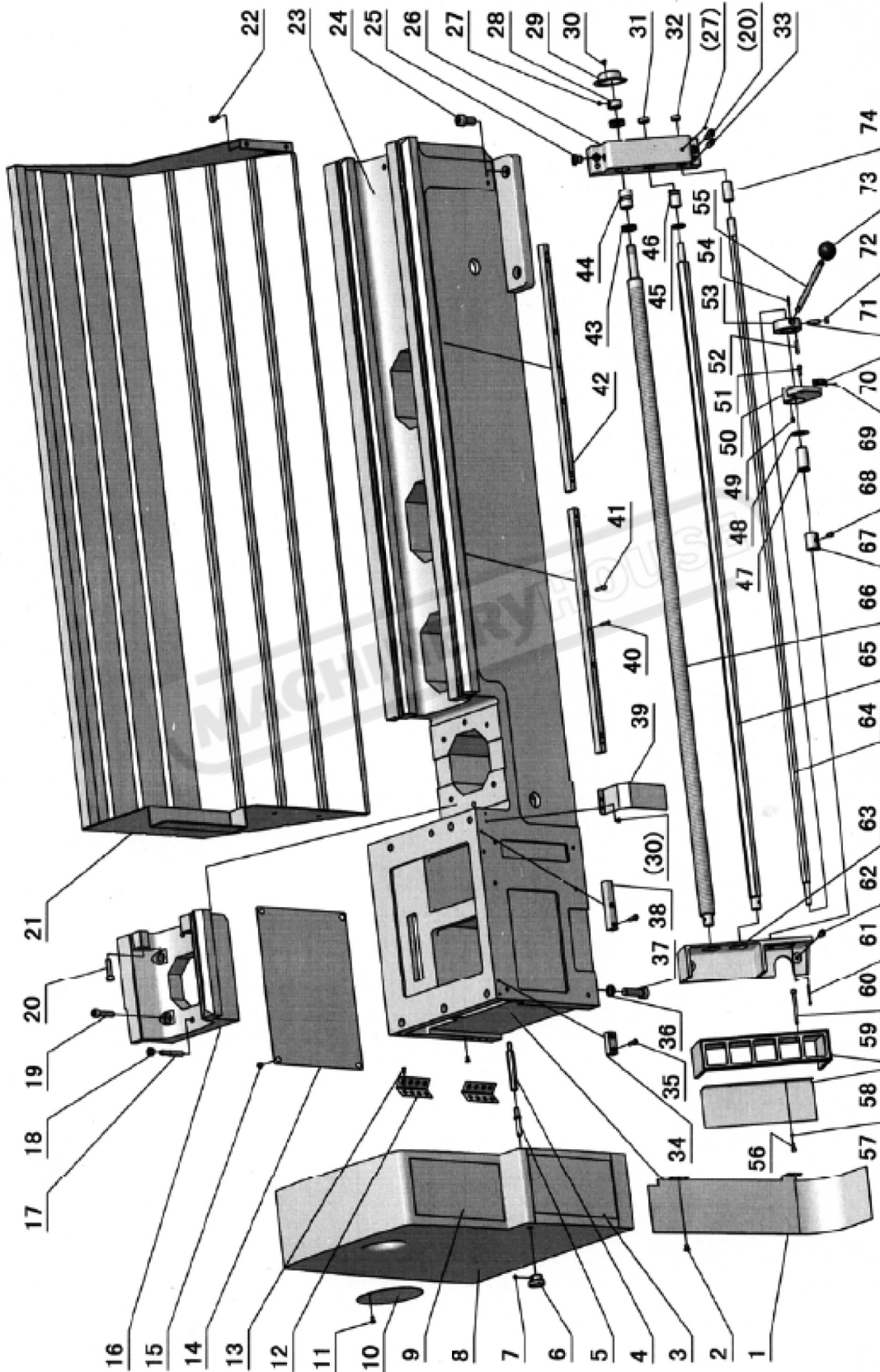
TAILSTOCK PARTS LIST

No	Part No.	Item	Specification	Qty.
1	RUN460-104056A	Handle		1
2	RUN6141-105014	Handwheel		1
3	RUN6141-105013	Dial-Feed (Metric)		1
3	RUN6141-105013-1	Dial-Feed (Inch)		1
4	GB80-85	Screw	M5×20	1
5	GB70-85	Socket Head Cap Screw	M6×30	3
6	RUN6141-105012	Cap-Body End (Metric)		1
6	RUN6141-105012-1	Cap-Body End (Inch)		1
7	GB1155-79	Ball Cup	6	1
8	GB301-84	Thrust Bearing	8105	2
9	RUN6141-105010	Nut (Metric)		1
9	RUN6141-105010-1	Nut (Inch)		1
10	GB1096-79	Key	6×25	1
11	RUN6141-105011	Screw-Spindle Feed (Metric)		1
11	RUN6141-105011-1	Screw-Spindle Feed (Inch)		1
12	GB80-85	Socket Botton Head Screw	M6×25	1
13	RUN6141-105016	Lock Nut		1
14	GB70-85	Screw	M6×16	3
15	GB1155-79	Ball Cup	10	2
16	RUN6141-105009	Spindle-Tang Slot		1
17	HG4-692-67	Oil-Seal	PD60×75×9	1
18	RUN6246-105029	Pin		1
19	GB80-85	Screw	M6×10	1
20	RUN6141-105001	Tailstock Body		1
21	GB55-88	Nut	M20	1
22	GB97.1-85	Washer	20	1
23	RUN460-105031	Plate		1
24	GB827-86	Rivet	2×5	4
25	RUN6141-105027	Bottom Tailstock		1
25	RUN6246H-105027	Bottom Tailstock		1
26	RUN6141-105022	Wiper		2
27	GB818-85	Cross Recessed Head Screw	M4×12	8
28	RUN6141-105021	Case-Wiper		2
29	GB95-76	Washer	12	2
30	GB5782-86	Bolt (C6241)	M12×65	2
30	GB5782-86	Bolt (C6246H)	M12×90	2
31	GB848-85	Washer	20	1
32	GB5782-86	Bolt (C6241)	M20×135	1
32	GB5782-86	Bolt (C6246H)	M20×160	1
33	RUN460-105032	Plate		1

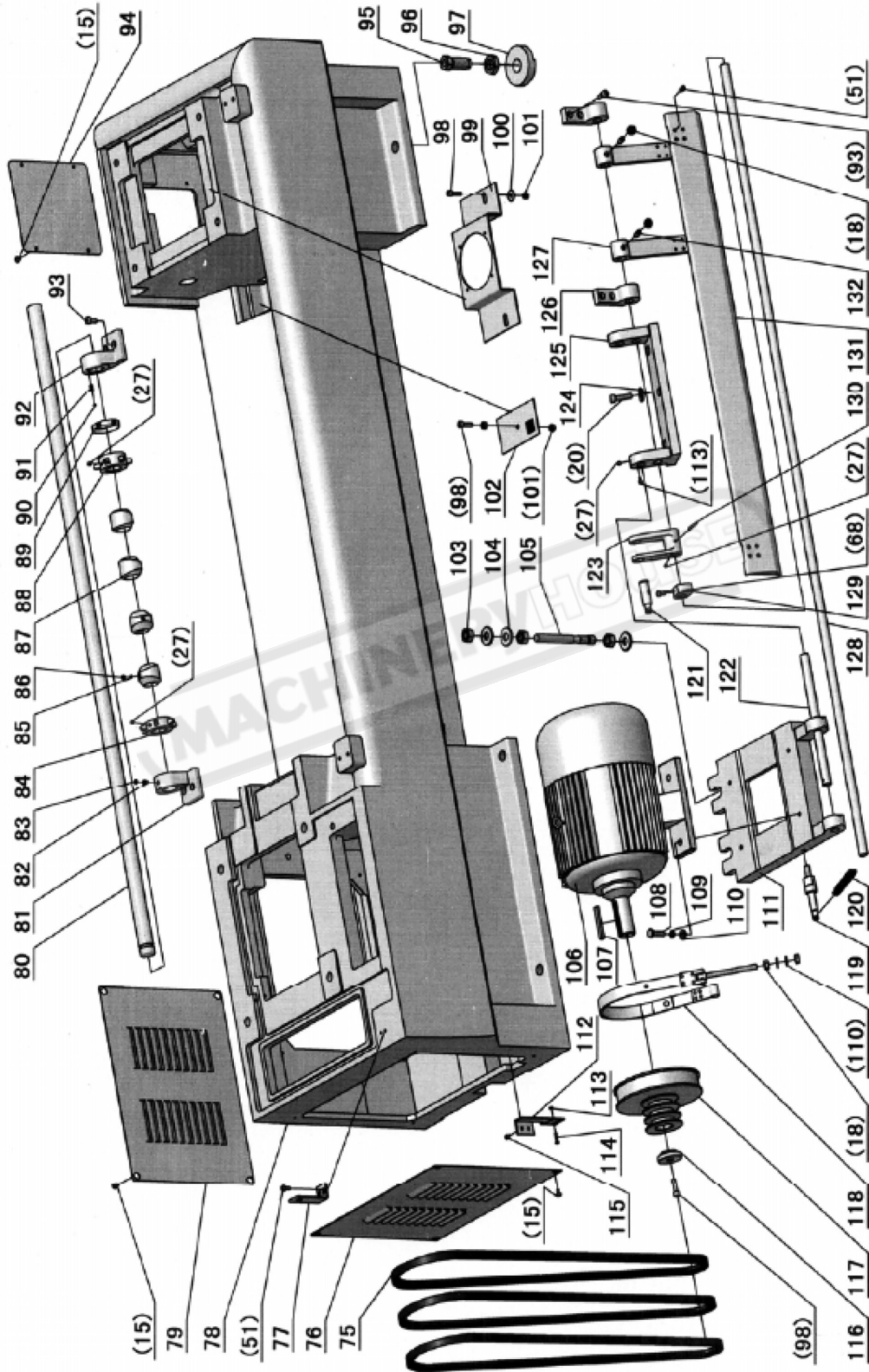
TAILSTOCK PARTS LIST Cont.

No	Part No.	Item	Specification	Qty.
34	RUN460-105017	Block-Adjusting		1
35	GB77-86	Screw	M10×8	1
36	GB79-85	Screw	M10×12	1
37	GB119-86	Pin	B-10×70	2
38	GB80-85	Screw	M12×16	2
39	RUN6141-105024	Wiper		2
40	RUN6141-105023	Case-Wiper		2
41	RUN6141-105025	Clamp		1
41	RUN6141-105025A	Clamp		1
42	GB5782-86	Bolt (C6241)	M20×80	1
42	GB5782-86	Bolt (C6246H)	M20×110	1
43	RUN460-105018	Bracket		1
44	RUN460-105028	Eccentric Block		1
45	GB879-86	Spring Pin	6×36	1
46	RUN6141-105019	Gip		1
47	RUN460-105020	Screw		1
48	RUN6141-105002	Shaft Lock Sleeve		1
49	RUN460-105004	Lead Screw		1
50	RUN6141-105003	Lock Bolt		1
51	RUN6246-105007	Screw-Brake		2
52	RUN6141-105005	Shaft		1
53	RUN460-105006	Lead Screw		1

BED ASSEMBLY PARTS

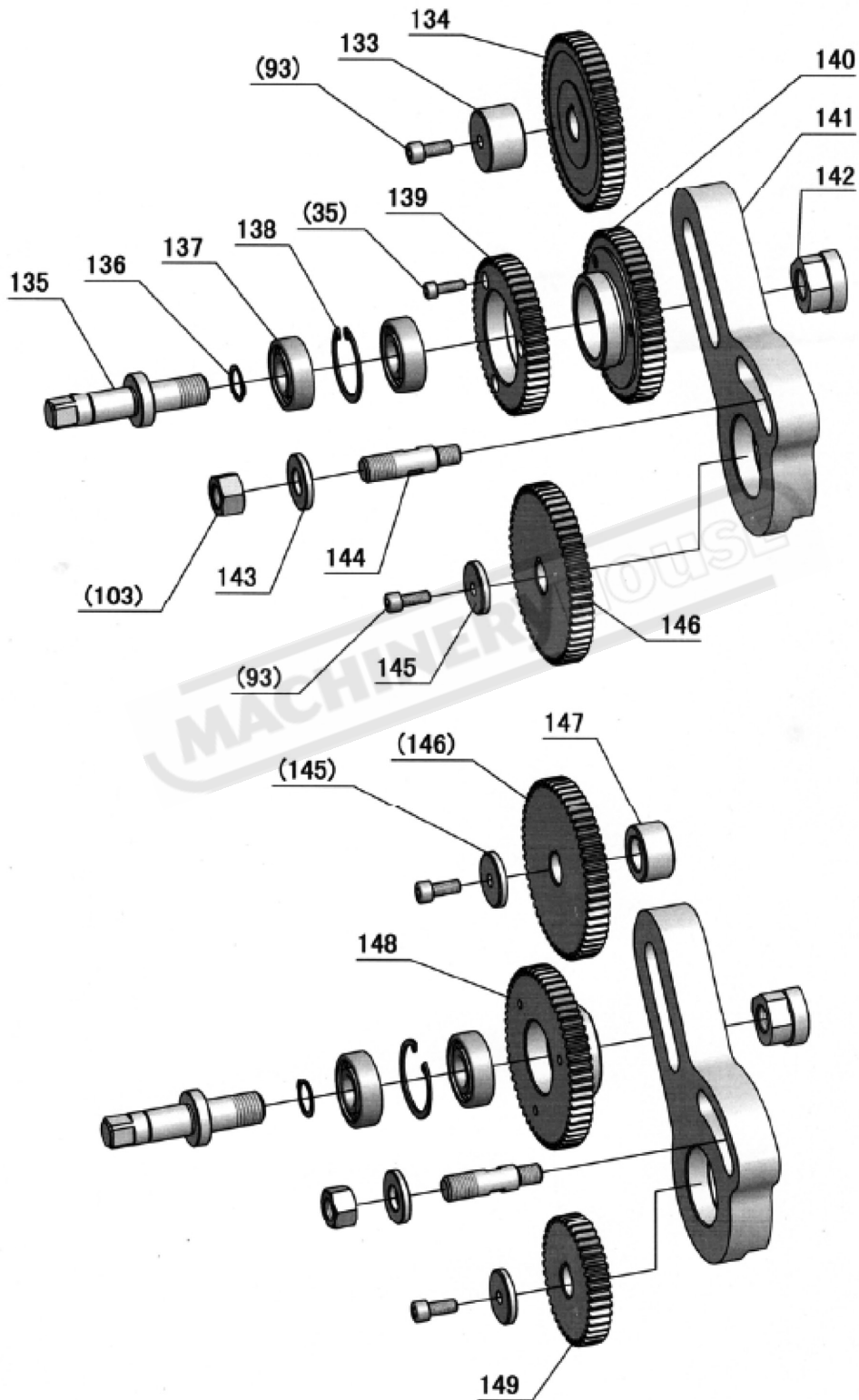


BED ASSEMBLY PARTS Cont.



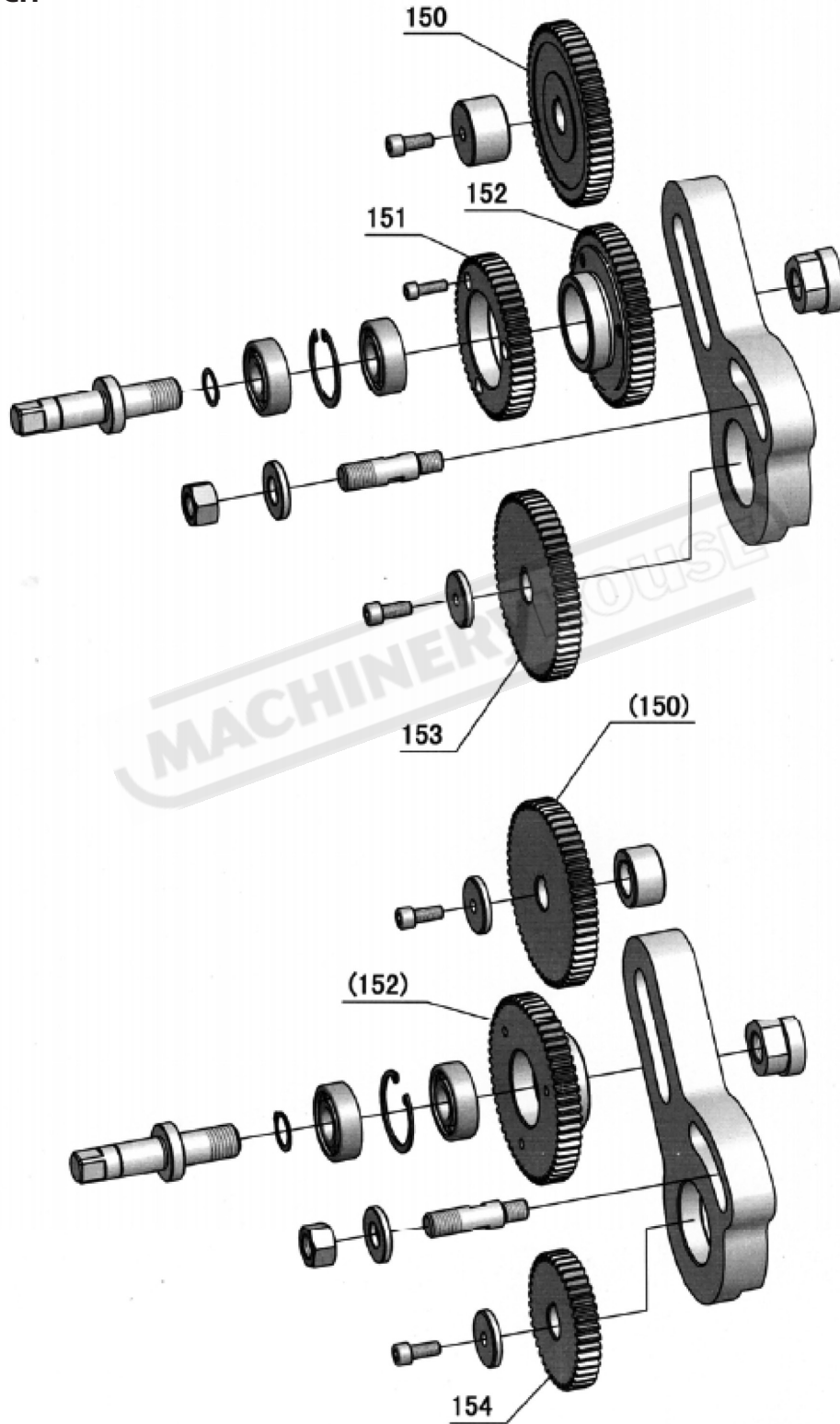
BED ASSEMBLY PARTS Cont.

METRIC



BED ASSEMBLY PARTS Cont.

INCH



BED ASSEMBLY PARTS LIST

No	Part No.	Item	Specification	Qty.
1	RUN6246-108098	Oil Guard		1
2	GB70-85	Screw	M6×10	2
3	RUN6246-108094	Plate		1
4	RUN6246-108082	Bolt		1
5	RUN6246-108074	Screw		1
6	RUN6246-108073	Nut		1
7	GB79-85	Screw	M6×8	1
8	RUN6141-108032	Cover-End (C6241)		1
8	RUN6246H-108032	Cover-End (C6246h)		1
9	RUN6141-108024	Plate (Metric)		1
9	RUN6141-108025	Plate (Inch)		1
9	RUN6246H-108024	Plate (Metric)		1
10	C6251A-04-05	Cover		1
11	GB/T70.2-2000	Screw	M6×10	1
12	GB7277-87	Hinge	100	2
13	GB68-85	Screw	M5×10	16
14	RUN6246-106071	Electric Cover		1
15	GB818-85	Screw	M6×10	16
16	RUN6141-106002	Saddle		1
17	GB118-86	Pin	10×70	2
18	GB6170-86	Nut	M10	6
19	GB70-85	Screw	M12×50	4
20	GB70-85	Screw	M10×40	7
21	RUN6246-106072A	Guard Assembly 1000		1
21	RUN6246-106072B	Guard Assembly 1500		1
21	RUN6246-106072C	Guard Assembly 2000		1
22	GB70-85	Screw	M8×16	4
23	RUN6241-106001	Bed 1000		1
23	RUN6241-106001-1	Bed 1500		1
23	RUN6241-106001-3	Bed 2000		1
24	GB70-85	Screw	M16×35	4
25	RUN6246-106010-4	Plug-Oil Inlet		1
26	RUN6246-106010	Bracket		1
27	GB80-85	Screw	M6×8	6
28	RUN6246-106007	Nut		1
29	RUN6246-106031	Cover		1
30	GB818-85	Screw	M5×8	5
31	RUN6246-106010-1	Plug		1
32	RUN6246-106010-2	Plug		1
33	GB118-86	Taper Pin	10×45	2

BED ASSEMBLY PARTS LIST Cont.

No	Part No.	Item	Specification	Qty.
34	RUN6141-106095	Block		1
35	GB70-85	Screw	M6×20	7
36	GB93-86	Spring Washer	16	4
37	GB70-85	Screw	M16×55	4
38	RUN6141-106094	Block		1
39	RUN6246-106009	Protection Cover		1
40	GB879-86	Spring Pin	5×30	6
41	GB70-85	Screw	M6×25	8
42	RUN6246-106005B	Rack		1
42	RUN6246-106005C	Rack		1
42	RUN6246-106005D	Rack (Left Hand)		1
43	GB301-84	Thrust Bearing	8104	2
44	RUN6246-106010-6	Sleeve		1
45	RUN6246-106010-7	Spacer		1
46	RUN6246-106008	Bush		1
47	RUN6246-106056	Shaft Sleeve		1
48	RUN6246-106058	Washer		1
49	Q81-1	Spring	1×6×20	3
50	RUN6246-106059	Switch Bracket		1
51	GB70-85	Screw	M6×16	12
52	RUN6246-106055	Pin	3×20	1
53	RUN6246-106053	Bracket	M5×10	1
54	GB879-86	Spring Pin	5	1
55	RUN6246-106057A	Lever		1
56	GB70-85	Screw		2
57	GB93-87	Washer		2
58	RUN6141-106018-1	Cover		1
59	RUN6141-106018	Seat-Pilot Light		1
60	GB70-85	Screw	M6×70	2
61	GB70-85	Screw	M4×40	2
62	GB70-85	Screw	M8×25	2
63	RUN6246-106016	Seat-Switch		1
64	RUN6246-106015	Started Rod 1000		1
64	RUN6246-106015-1	Started Rod 1500		1
64	RUN6246-106015-3	Started Rod 2000		1
65	RUN6246-106013	Feed Rod 1000		1
65	RUN6246-106013-1	Feed Rod 1500		1
65	RUN6246-106013-3	Feed Rod 2000		1
66	RUN6246-106006A	Lead Screw 1000(Inch)		1
66	RUN6246-106006B	Lead Screw 1000(Metric)		1

BED ASSEMBLY PARTS LIST Cont.

No	Part No.	Item	Specification	Qty.
66	RUN6246-106006C	Lead Screw 1500(Inch)		1
66	RUN6246-106006D	Lead Screw 1500(Metric)		1
66	RUN6246-106006G	Lead Screw 2000(Inch)		1
66	RUN6246-106006H	Lead Screw 2000(Metric)		1
67	CM6233-2055	Cam		1
68	GB70-85	Screw	M6×12	2
69	GB827-86	Screw	2×5	2
70	RUN6246-106089	Plate		1
71	GB79-85	Screw	M8×30	2
72	GB6170-86	Nut	M8	2
73	Z16-1	Lever Bush	M12×40	1
74	RUN6246-106014	Bush		1
75	C6141 7.5HP/60HZ	Belt B73	B73	3
75	C6141 7.5HP/50HZ	Belt B74	B74	3
75	C6246H 7.5HP/60HZ	Belt B75	B75	3
75	C6246H 7.5HP/50HZ	Belt B76	B76	3
76	RUN6246-106028	Cover Motor Seat		1
77	RUN6246-108078	Limited Switch Seat		1
78	RUN6246-106003	Stand 1000		1
78	RUN6246-106003-1	Stand 1500		1
78	RUN6246-106003-3	Stand 2000		1
79	RUN6246-106028-1	Cover Motor Seat		1
80	RUN6246-106019	Auto Stopping Shaft 1000		1
80	RUN6246-106019-3	Auto Stopping Shaft 1500		1
80	RUN6246-106019-6	Auto Stopping Shaft 2000		1
81	RUN6141-106024	Bracket		1
82	GB79-85	Screw	M8×12	1
83	GB77-85	Screw	M8×6	1
84	RUN6246-106019-1	Star Type Ring		1
85	RUN6246-106020-1	Shoe Clamp		4
86	GB80-85	Screw	M8×6	4
87	RUN6246-106020	Cam		4
88	RUN6246-106019-2	Star Type Ring		1
89	RUN6246-106019-5	Plate		1
90	GB308-84	Steel Ball	6	1
91	Q81-1	Spring	1×5×25	1
92	RUN6141-106025	Bracket		1
93	GB70-85	Screw	M8×20	10
94	RUN6246-106033	Pump Hole Cover		1
95	RUN6246-106029	Bolt		6

OPERATION MANUAL

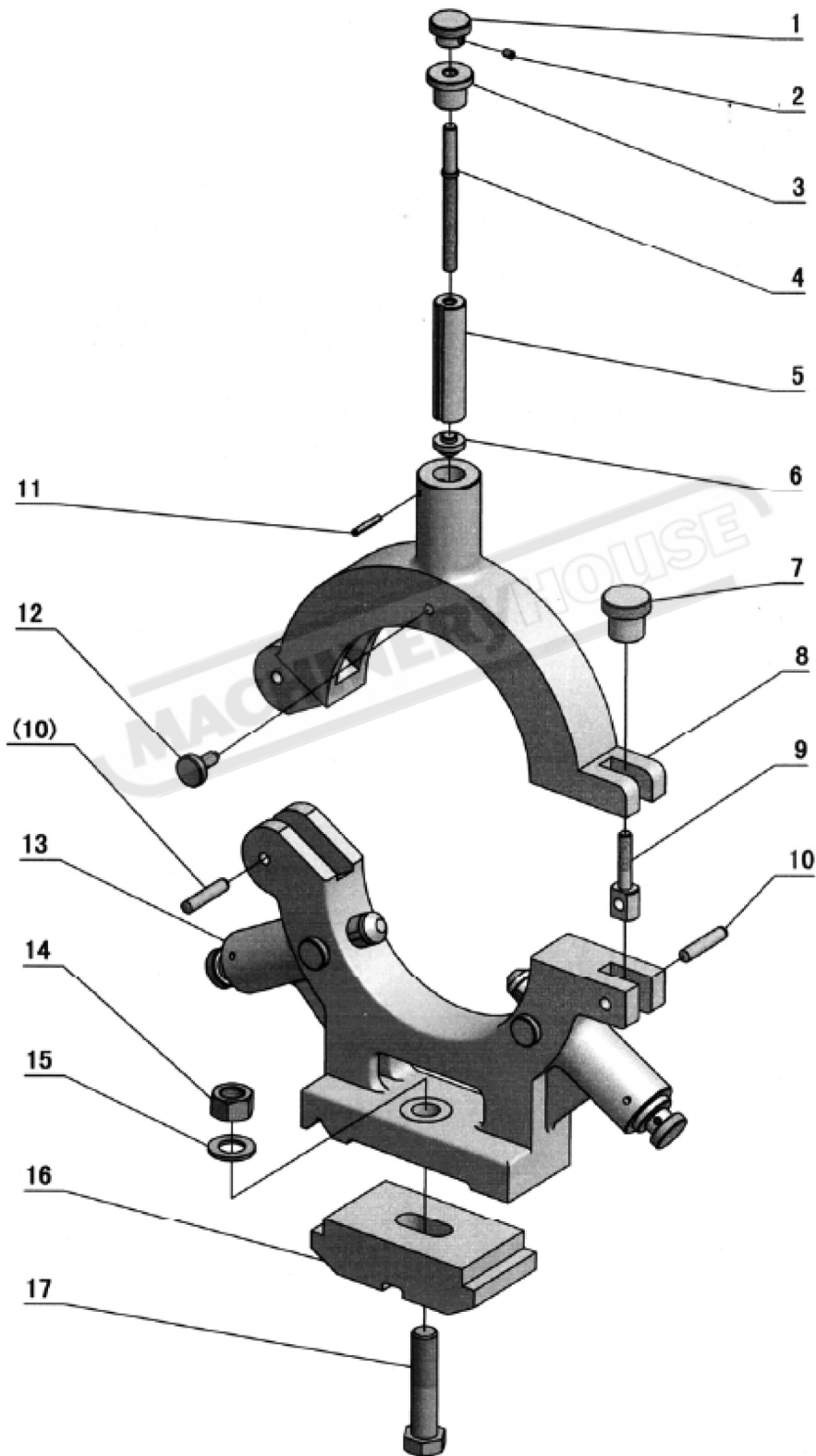
BED ASSEMBLY PARTS LIST Cont.

No	Part No.	Item	Specification	Qty.
96	GB6173-86	Nut	M24×2	6
97	RUN6246-106069	Block-Leveling		6
98	GB70-85	Screw	M8×30	4
99	RUN6246-106090A	Coolant Pump Seat		1
100	GB96-85	Washer	8	2
101	GB6170-86	Nut	M8	4
102	RUN6246-106051	Screen		1
103	GB6170-86	Nut	M16	7
104	RUN6246-106079	Washer		6
105	RUN6246-106046	Screw		2
106		Motor	5.5kw	1
107	GB1096C-79	Key	10×70	1
108	GB5782-86	Bolt	M10×35	4
109	GB93-87	Spring Washer	10	4
110	GB97.1-85	Washer	10	6
111	RUN6246-106034	Motor Seat		1
112	RUN6246-106091	Limited Switch Seat		1
113	GB6170-86	Nut	M4	2
114	GB818-85	Screw	M4×20	2
115	GB70-85	Screw	M5×8	3
116	RUN6141-106049a	Washer		1
117	RUN6141-106048a	Belt Pulley	60Hz	1
117	RUN6141-106048a-1	Belt Pulley	50Hz	1
118	RUN6246-106047	Belt-Brake		1
119	RUN6246-106050	Shaft		1
120	Q81-3	Spring	3×16×115	1
121	RUN6246-106039	Shaft		1
122	RUN6246-106044	Shaft		1
123	RUN6246-106040	Arm Brake		1
124	RUN6246-106097	Washer		3
125	RUN6246-106041	Bracket-Motor Seat		1
126	RUN6246-106036	Bracket		2
127	RUN6246-106042A	Arm		2
128	RUN6246-106045	Shaft 1000		1
128	RUN6246-106045-1	Shaft 1500		1
128	RUN6246-106045-3	Shaft 2000		1
129	RUN6246-106037	Cam		1
130	GB879-86	Spring Pin	5×40	1
131	RUN6246-106040D	Pedal-Bracket 1000		1
131	RUN6246-106040E	Pedal-Bracket 1500		1

BED ASSEMBLY PARTS LIST Cont.

No	Part No.	Item	Specification	Qty.
131	RUN6246-106040H	Pedal-Bracket 2000		1
132	GB79-85	Screw	M10×25	2
133	RUN6141-108002	Spacer		1
134	RUN6141-108001	Gear (Metric)	55T×M2	1
135	RUN6141-108004	Bolt		1
136	GB894.1-86	Snap Ring	20	1
137	GB278-89	Ball Bearing	180204	2
138	GB893.1-86	Snap Ring	47	1
139	RUN6141-108003	Gear (Metric)	49T×M2	1
140	RUN6141-108006	Gear (Metric)	54T×M2	1
141	RUN6141-108009	Bracket		1
142	RUN6141-108005	Nut		1
143	RUN6141-108017	Washer		1
144	RUN6246-108063	Bolt		1
145	RUN6141-108007	Spacer		1
146	RUN6141-108008	Gear (Metric)	56T×M2	1
147	RUN6141-108015	Spacer		1
148	RUN6141-108010	Gear (C6241 Metric)	57T×M2	1
148	RUN6246H-108010-1	Gear (C6246h Metric)	64T×M2	1
149	RUN6141-108011	Gear (Metric)	40T×M2	1
150	RUN6141-108012	Gear (Inch)	48T×M2	1
151	RUN6141-108013	Gear (Inch)	66T×M2	1
152	RUN6141-108010	Gear (Inch)	57T×M2	1
153	RUN6141-108014	Gear (Inch)	42T×M2	1
154	RUN6141-108016	Gear (Inch)	57T×M2	1

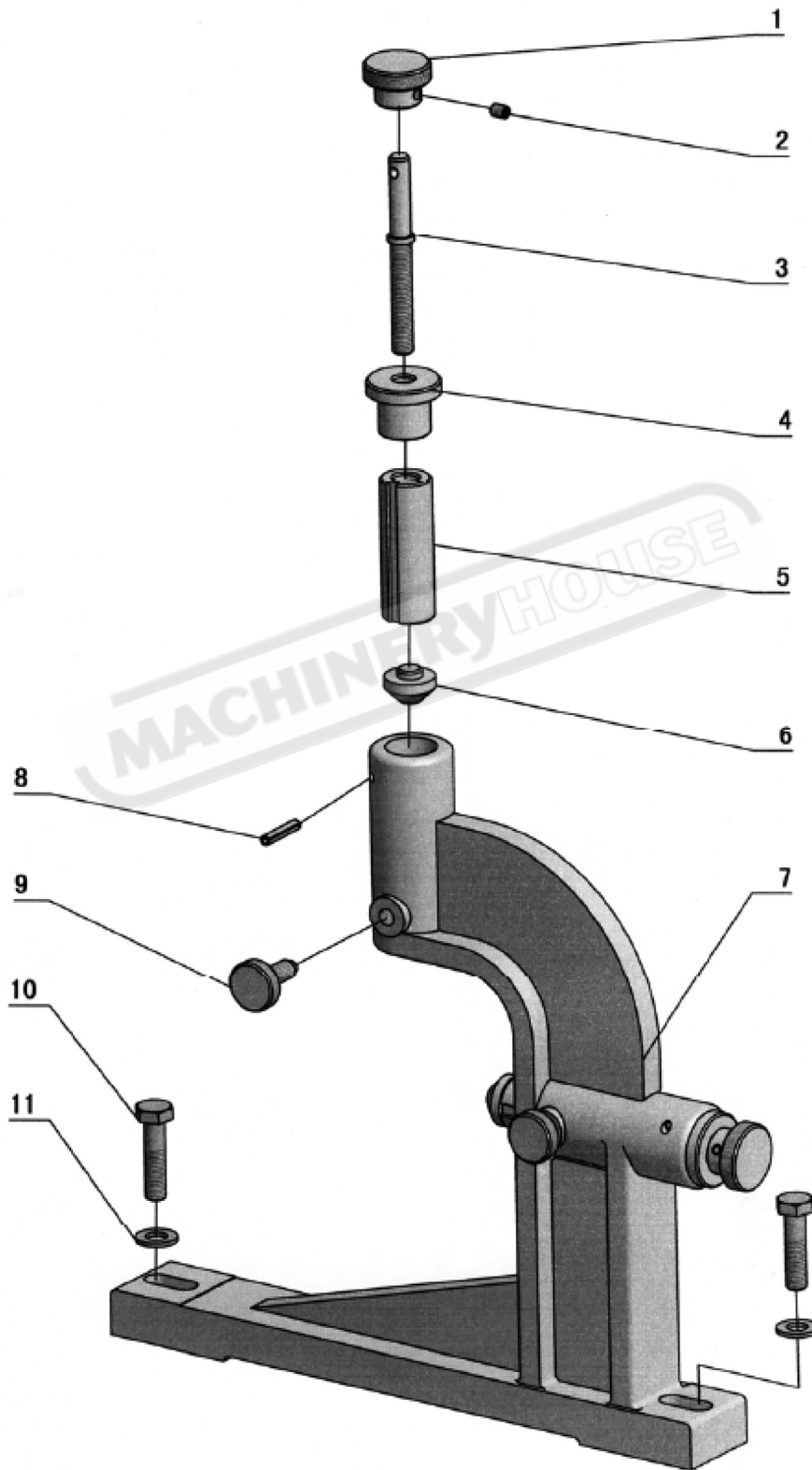
FIXED STEADY PARTS



FIXED STEADY PARTS LIST

No	Part No.	Item	Specification	Qty.
1	RUN6246-110019	Rotate Handle		3
2	GB78-85	Screw	M6×8	3
3	RUN6246-110004	Bush		3
4	RUN6141-110008	Screw Shaft		3
5	RUN6141-110010	Sleeve		3
6	RUN6246-110024	Bracket		1
7	RUN6246-110014	Handle		1
8	RUN6141-110002	Upside of Steady Rest		1
9	RUN6246-110013	Clamping Screw		1
10	GB119-86	Pin	10×50	1
11	GB879-86	Spring Pin	5×32	3
12	RUN6246-110018	Limited Screw		3
13	RUN6141-110001	Downside of Steady Rest		1
13	RUN6246H-110001	Downside of Steady Rest		1
14	GB6170-86	Nut	M20	1
15	GB97.1-85	Washer	20	1
16	RUN6141-105025A	Clamping Bracket		1
17	GB5780-86	Bolt	M20×90	1

TRAVELING STEADY PARTS



TRAVELING STEADY PARTS LIST

No	Part No.	Item	Specification	Qty.
1	RUN6246-110019	Rotate Handle		2
2	GB78-85	Screw		2
3	RUN6246-110015	Screw Shaft		2
4	RUN6246-110004	Bush		2
5	RUN6246-110016	Sleeve		2
6	RUN6246-110024	Bracket		2
7	RUN6141-110005	Follow Rest (C6241)		1
7	RUN6246H-110005	Follow Rest (C6246h)		1
8	GB879-86	Spring Pin	5×26	2
9	RUN6246-110018	Limited Screw		2
10	GB5782-86	Bolt	M10×40	2
11	GB97.1-85	Washer		2

MACHINERYHOUSE